



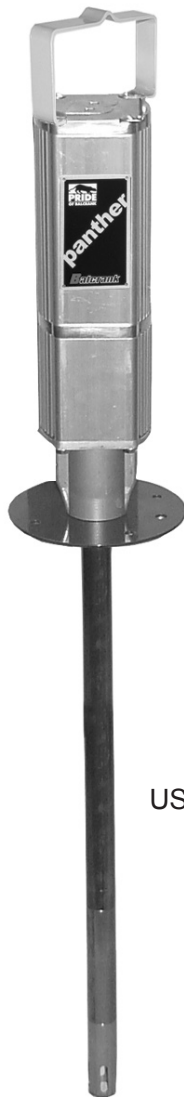
PANTHER® HP SERIES GREASE PUMPS

50:1 RATIO, 35 LB. PAIL, MODEL 1150-009

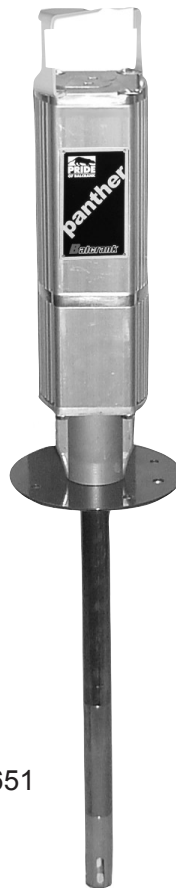
50:1 RATIO, 120 LB. DRUM, MODEL 1150-010

50:1 RATIO, 400 LB. DRUM, MODEL 1150-011

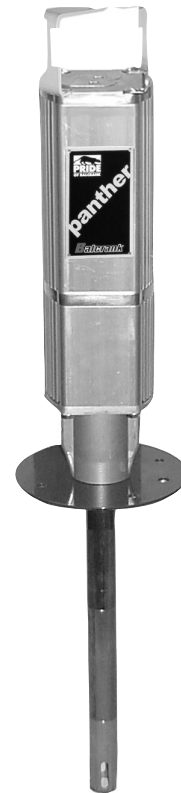
50:1 RATIO, STUB TOTE, MODEL 1150-017



1150-011



1150-010



1150-009
&
1150-017




US Patent #6,986,651


Thoroughly read and understand this manual before installing, operating or servicing this equipment.


OPERATION, INSTALLATION, MAINTENANCE AND REPAIR GUIDE


General Safety

Thoroughly read and understand this manual before installing, operating or servicing the described products.

	<p>! IMPORTANT</p>
<p>Because this pump can be incorporated into a pressurized systems, the following safety precautions should be observed.</p> <p>Check equipment regularly and repair or replace worn and damaged parts.</p> <p>Never alter or modify any parts of this pump, doing so may cause damage to pump and/or personal injury.</p> <p>Under no circumstances should the dispensing valve be aimed at any person at any time. Personal injury may result.</p> <p>Release pressures built up in the system before any service or repair is begun. See the pressure relief procedure below.</p> <p>Do not operate this pump above 150 PSI (10.3 BAR) air inlet pressure or 200 cycles per minute.</p> <p>Always read and follow the fluid manufacturer's recommendations regarding the use of protective eyewear, clothing and respirators.</p>	
	<p>! WARNING</p>
<p>Pressure Relief Procedure:</p> <p>Follow this procedure whenever you shut off the pump, when checking or servicing any part of the system and when installing, cleaning or changing any part of the system.</p> <ol style="list-style-type: none"> 1) Disconnect the air to the pump. 2) Point dispensing valve away from yourself and others. 3) Open dispensing valve until pressure is relieved. 	
	<p>! WARNING</p>
<p>Use 3241-002 Pump Over-Run control valve on pump air inlet for remotely operated pumps. Failure to use this valve can cause pump to cycle quickly when barrel is empty of grease. THIS WILL DAMAGE THE PUMP and may void factory warranty.</p>	

	<p>! WARNING</p>
<p>WARNING: The Panther® 50:1 grease pump develops up to 7500 psi (517 Bar) maximum working pressure at 150 psi (10.3 Bar) maximum inlet air pressure and stall conditions. Be sure that any components or accessories used in the system are rated to withstand this pressure. To determine fluid output pressure at stall conditions, multiply the ratio of the pump by the air pressure being used.</p> <p>EXAMPLE: 50:1 Pump Ratio x 100 psi air pressure = 5000 psi fluid pressure at stall.</p>	

	<p>! WARNING</p>
<p>THIS PUMP CONTAINS ALUMINUM AND ZINC PARTS. DO NOT use 1-1-1 Trichloroethane, methylene chloride or other halogenated hydrocarbon solvents or fluids containing such solvents in this pump. Use of these solvents/fluids may result in a violent chemical reaction, causing serious bodily injury, property damage or death. All fluids used in this pump must be chemically compatible with the wetted parts materials shown on page two (2) of this manual. Consult your chemical supplier to ensure compatibility.</p>	

	<p>! WARNING</p>
<p>DANGER: Not for use with fluids that have a flash point below 100°F (38°C). Examples: gasoline, alcohol. Sparking could result in an explosion which could result in death.</p>	


	<p>! WARNING</p>
<p>In the presence of explosive vapors, take action to prevent static sparking. Failure to ground the pump, piping, valves, containers, or other miscellaneous equipment can result in fire or explosion. A green grounding lug is provided on the pump.</p>	

Table of Contents

Cover.....	1	Pump Repair/Service.....	7
General Safety Information.....	2	Troubleshooting Guide	9
Product Description	3	Parts List.....	10-15
Technical Data.....	3	Parts Diagram.....	10-15
Pump Installation.....	4	Accessories	16
Preventive Maintenance.....	6	Pump Dimensions	17
Operation.....	6	Warranty Statement.....	18

Product Description

The 50:1 ratio Panther® pump is suitable for grease distribution to multiple dispensing points or for dispensing distances of up to 300 feet. Because of its superior flow rate and rugged design, it is ideal for a wide variety of applications and installations.

The Panther's proven air motor features a precision air reversing valve mechanism with dual valve ports for improved high speed breathing. It also contains a positive trip detent spool mechanism that eliminates stalling (blowing air) by preventing the pump from being caught between strokes.

The lower end is fitted with Balcrank's exclusive, patent-pending intake system that dramatically improves the pump's output by maintaining a high inlet vacuum. By creating such a high intake vacuum, the chance of producing "voids" in the grease is practically eliminated.

It has a simple yet durable construction with all internal parts lubricated at the factory using a life-tested synthetic grease (Balcrank P/N 826733). This grease coats all internal parts and repels air line moisture to inhibit corrosion.

The Panther® pump's exterior is constructed from aircraft grade extruded aluminum for an outstanding strength to weight ratio. The pump also has high quality Buna-N and urethane seals. It is a pump that has proven to be reliable, yet easy to service and maintain.

Technical Data

Pressure Ratio.....	50:1
Air Motor, Effective Dia.	2.50"
Stroke	3.25"
Air Motor Displacement	30.4 in ³
Cycles per pound ¹	70
Maximum Flow Rate ¹	3.4 lb/min
Operating Air Pressure Range.....	40-150 psi (2.8-10.3 Bar)
Recommend Operating Range	40-125 psi (2.8-8.6 Bar)
Air Consumption, @ 100 psi Air & 1.5 lbs/min.....	14.5 SCFM
Fluid outlet	1/4" NPTF
Air inlet	1/4" NPTF
Wetted Parts.....	Stainless Steel, Carbon Steel, Brass, Aluminum, Delrin, Ultrathane, Buna-N

1. Medium body grease @ 75 deg. F, free flow with 100 psi air.

Pump Installation

After removing the pump from its shipping carton, attach to a suitable drum cover with the mounting ring supplied with the pump.



CAUTION: Performance will be affected by a suction path seal (follower plate) that is not air tight.

To insure proper performance of your grease pump, Balcrank® recommends using a follower plate if mounting the pump to a grease pail or drum.

Refer to the following illustrations depicting a typical drum-mounted installation.



STEP 1:

Using four 1/4-28 bolts and lock washers, secure the pump to the drum cover.



STEP 2:

From underneath, tighten the holster.



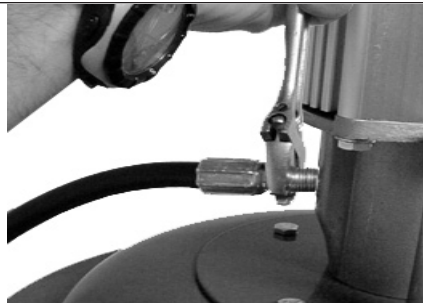
STEP 3:

Slide the follower plate up the pump tube as shown.



STEP 4:

Insert pump (with follower plate) into drum and tighten thumb screws.



STEP 5:

Tighten one end of outlet hose to pump outlet.



STEP 6:

Secure control handle to the other end of the outlet hose.



STEP 7:

Install a coupler or a ball valve into the pump's air intake port. ****Insure the valve is closed****



STEP 8:

Install a F-R-L onto the pump. Fill the lubricator with 10-20 wt. lubricant - set for 1 drop every 2 hours.



STEP 9:

Connect compressed air to F-R-L.



STEP 10:

Set regulator to no more than 150 psi (10 bar)



STEP 12:

Open control handle into suitable container to properly prime pump and remove air from system.



Set-up complete (optional equipment shown)



25/35 LB. Installation:

Loosen set screw on mounting collar and remove from pump. Install collar on cover and complete step 1 and 2. Place cover on pail and insert pump. Raise pump one inch from bottom of pail and tighten set screw. Proceed with step 3 and rest of installation instructions.

Note: If your pail measures 16-1/2" or greater, remove the mounting ring from the collar and attach the mounting ring to the pump's outlet housing with the snap ring provided.

Preventive Maintenance

The Panther® grease pump has been designed to operate dependably with little required maintenance. However, to ensure pump longevity, the following should be observed:

- Keep the grease free of trash and debris. Periodically check the pump inlet for foreign matter and clean when necessary.
- Run the pump at the minimum pressure required to achieve the desired flow rate (*less than 125 psi and 150 cyc/min recommended*).
- Ensure the pump receives clean, moisture free air. Check and maintain the system's air filter on a regular basis.
- Although the air motor is coated with synthetic grease upon factory assembly and can run without lubricated air, Balcrank recommends an in-line F.R.L. be installed in the pumping system.
- Never let the pump run dry of the grease being pumped.

Pump Operation



CAUTION: Always read and follow grease manufacturers' recommendations regarding proper use of protective eye wear, clothing and respirators.



CAUTION: Read all limitations which apply to selection of greases which may be pumped by this product. Do not pump a grease which is not specified to be compatible.



WARNING: Attach a proper ground wire to the Panther's grounding lug before starting the pump.

To Start Pump:

1. Immerse the pump's suction tube inlet into the grease to be pumped (refer to "Pump Installation" for more detail).
2. Connect the air coupler to the pump and turn the air regulator to the minimum setting.
3. Direct pump outlet hose into an approved waste container.
4. Slowly adjust the air regulator until the pump is primed and running smoothly. Be sure all air has been purged from the system. The pump should prime in less than 30 seconds.
5. Use the air regulator to control the pump's speed and cycle rate. Always use the lowest pressure required to obtain the desired flow rate. This will increase pump and seal life.
6. Never allow a pump to be run dry of the grease being pumped. A dry pump quickly speeds up, which could damage the air motor and fluid seals. If the pump suddenly speeds up, cut off the air supply as soon as possible, refill the reservoir with grease and reprime the system.
7. Read and follow the instructions for each component in your system.
8. If the pump will be unattended for any period of time, or to shut off the system at the end of a work shift, *always* follow the **Pressure Relief Procedure** on pages 2 or 8 of this manual.

Pump Repair/Serviceing



WARNING: Before beginning pump repair, all internal pressure must be relieved. To reduce risk of personal injury, follow the **Pressure Relief Procedure** shown on pages 2 & 8.

Removing the Air Motor: Using a 7/16" wrench or socket, remove the four nuts (37) from the carriage bolts (30). Pulling upward on the handle (39), remove carriage bolts (30). Pull up on cap (31) and slide cap (31) outward, removing cap from tee slot connection with tripper rod (42). Pull upward on body (33) and remove. Shift air motor out from tee slot connector on rod (19) and remove air motor, seal insert (35) and lower body (36). Reassemble in reverse order, *using grease (p/n 826733) on all seals and o-rings.*

Replacing the Air Motor Seals (Installing kit 900019): Place air motor on clean work surface with the air valve mechanism up. With a straight screwdriver, remove the ball detent retainers (55) from piston (ensure the balls (57) are removed). With two 7/16" wrenches, remove the two nuts (49) from the top of the intake valves (62). Now, hold the tripper rod (42) and pull valve bar assembly from piston (59). Check for wear on all seals (32, 34, 54, and 58), balls (57), and springs (46 and 47) and replace as required. Reassemble in reverse order, using the diagram as a guide. *Use grease (p/n 826733) on all seals and o-rings.*

Replacing the Lower End Seals (Installing kit 900022): Place a 3/32" allen wrench through a slot in the intake tube (18) and through the 1/8" hole in the lower rod (26) as shown in fig. 1 below. While holding rod (26) in place with allen wrench, remove nut (29) with a 5/8" socket. The upper and lower intake disks (27 and 28) can now be removed. Using a strap wrench, remove the intake tube (18) and the high pressure cylinder (12).



Fig. 1: Removing Grease Intake Assembly

Pump Repair/Serviceing

(continued)


The foot seal assembly (13, 14, 15, and 16) will slide off with the high pressure cylinder (12). Remove the lower rod (26) from the grease piston (23) by placing a 9/16" wrench on the flats of the grease piston (23) and a 1/8" allen wrench in the hole through the lower rod (26). Using a strap wrench, remove the upper tube (10) from the grease adapter (1). Clamp vise grips on the knurled portion of the connecting rod (20) and remove the grease piston (23) using the 9/16" wrench. Remove the ball (22) and spring (21) from the grease piston (23). With the vice grips still clamped onto the connecting rod (20), place a 3/32" allen wrench through the upper rod (19) and remove the connecting rod (20).


Remove the four nuts (37) from the carriage bolts (30). Pull down slightly on the grease adapter (1) and unhook the upper rod (19) from the tee slot in the piston nut (64). Pull the upper rod (19) out of the grease adapter (1). Clamp the grease adapter (1) in a vice and using a 1 -1/2" socket, remove the adapter seal carrier (2) from the grease adapter (1). Remove packings (3, 4, and 5) from adapter seal carrier (2).

Reassemble in reverse order, using the pump breakdowns and torque specifications on pages 10-15 and fig. 2 as a guide. *Use grease (p/n 826733) on all seals and o-rings.*

CAUTION: Before servicing, reduce fluid pressure to zero. For safe handling, use the recommended **Pressure Relief Procedure**.

NOTE: The air motor is lubricated with a life-tested synthetic grease (P/N 826733) at the factory. This grease coats all parts and repels air line moisture to inhibit corrosion. It is imperative that any grease removed during maintenance be replaced afterwards. Contact your local Balcrank® distributor, using the above part number, for replacement grease.





WARNING

Pressure Relief Procedure:

Follow this procedure whenever you shut off the pump, when checking or servicing any part of the system and when installing, cleaning or changing any part of the system.

- 1) Disconnect the air to the pump.
- 2) Point dispensing valve away from yourself and others.
- 3) Open dispensing valve until pressure is relieved.

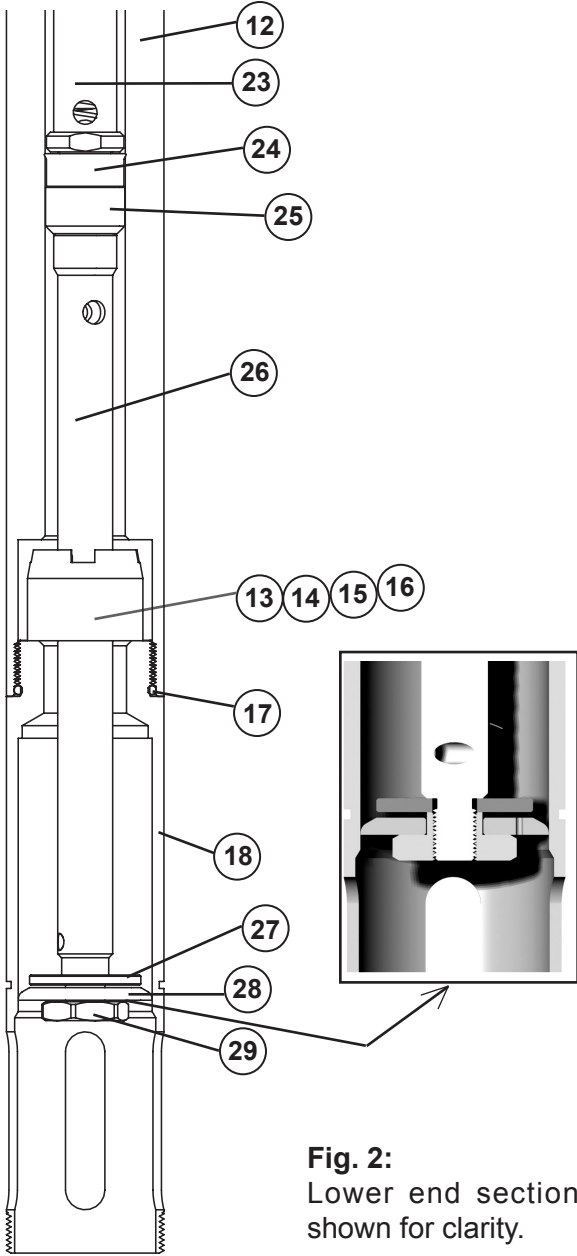


Fig. 2:
Lower end section shown for clarity.

Troubleshooting Guide

NOTE: Check all other possible causes before disassembling pump.



CAUTION: Before servicing, reduce fluid supply pressure to zero.

Trouble	Probable Cause	Corrective Action
Pump does not operate	Inadequate air supply pressure or restricted air line Clogged lines, hoses, valves, etc. Damaged air motor	Increase or clear air supply ⁽¹⁾ Ensure air is on and valves are open Open; clear ⁽¹⁾ Service / replace air motor
Air motor is not tripping over	Air motor seals are worn/damaged	Service / replace air motor
Air is leaking from exhaust	Air motor seals are worn/damaged	Service / replace air motor
Grease is leaking from the exhaust	Adapter seal (4) is worn/damaged	Replace
Erratic pump operation	Air entering suction line Grease level too low Air motor icing cycles per minute; clean muffler (60)	Check for loose connections Refill, reprime or flush Run pump at lower pressure; run at lower
Pump runs continuously	Empty fluid supply Blockage in pump tube or foot seal (13) High pressure seal (24) is worn or damaged	Refill, reprime or flush Remove pump tube, clear blockage Replace
Fluid output on one stroke only or continues to operate when dispensing valve is closed	High pressure ball (22) is stuck in grease piston (23) or one or both are damaged	Replace ball and reseal
Pump operates, but pump output on both strokes is low	Inadequate air supply pressure or restricted air line Closed or clogged solenoid valve, meter, dispensing valve, etc. Air inlet strainer/filter clogged Orifice in lower intake disk (item 28) plugged.	Increase air supply; increase air line supply size Clear ⁽¹⁾ Clear ⁽¹⁾ Remove material from orifice.

(1) Follow the **Pressure Relief Procedure (pages 2 and 8)** and disconnect the fluid line. If the pump starts when the air is turned on again, the line, etc. is clogged.

Parts List

Panther® 50:1 Ratio Pump Lower End Models 1150-009 , 1150-010, 1150-011, and 1150-017

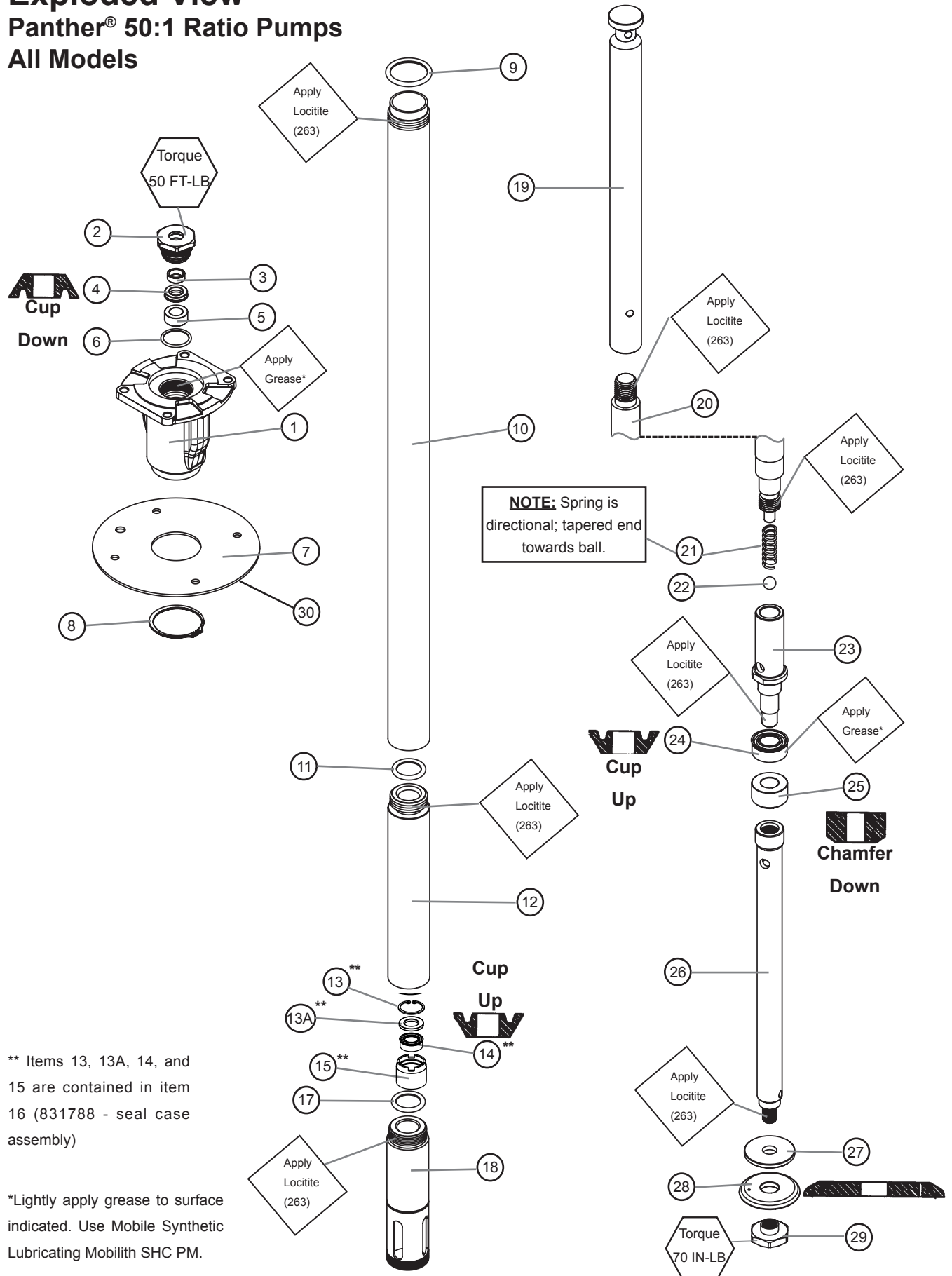
Item	Part Number	Description	Pump Qty	Service Kit Qty (900022)
1	832019 ⁽²⁾	Adapter, Fluid	1	0
	833078 ⁽¹⁾	Adapter, Fluid	1	0
	833079 ⁽¹⁾	Seal Adapter (not shown)	1	0
	833080 ⁽¹⁾	Extension, Fluid Out (not shown)	1	0
2	830920	Seal Insert, Adapter	1	0
3	830923	Upper Back Up	1	1
4	831019	Seal, U-Cup, Urethane	1	1
5	830922	Lower Back Up	1	1
6	831018	O-Ring, Buna-N, -121	1	1
7	831021 ⁽²⁾	Mounting Plate (1150-009, 1150-010, & 1150-011)	1	0
	831203P ⁽³⁾	Mounting Plate (1150-009, 1150-010, & 1150-011)	1	0
	831065 ⁽²⁾	Mounting Plate (1150-017)	1	0
	833094P ⁽³⁾	Mounting Plate (1150-017)	1	0
8	831020 ⁽²⁾	Snap Ring	1	0
	831220 ⁽³⁾	Snap Ring	1	0
9	831017	O-Ring, Buna-N, -216	1	1
10	831607	Tube, Upper (1150-009 & 1150-017)	1	0
	831608	Tube Upper (1150-010)	1	0
	831609	Tube Upper (1150-011)	1	0
11	831016	O-Ring, Buna-N, -119 (prior to 9/10/03 & after xx/xx/xx)	1	1
	806898	O-Ring, Buna-N, -212 (after 9/10/03)	1	1
12	831577	Cylinder, High Pressure	1	0
13		Retaining Ring (contained in item 16)	-	-
13A		Seal Case Spacer (contained in item 16)	-	-
14		Seal, U-Cup, Ultrathane (contained in item 16)	-	-
15		Seal Case (contained in item 16)	-	-
16	831788	Seal Case Assembly	1	1
17	831576	O-Ring, Buna-N, -022	1	1
18	831581	Tube, Lower	1	0
19	830933	Pump Rod, Upper	1	0
20	831604	Rod, Connecting (1150-009 & 1150-017)	1	0
	831605	Rod, Connecting (1150-010)	1	0
	831606	Rod, Connecting (1150-011)	1	0
21	807454	Spring	1	1
22	806289	Ball	1	1
23	828469	Grease Piston	1	0
24	829154	Seal, U-Cup, Urethane	1	1
25	828528	Back Up, Brass	1	1
26	831578	Pump Rod, Lower	1	0
27	830924	Disk, Upper, Intake	1	1
28	830925	Disk, Lower, Intake	1	1
29	830926	Nut, Intake	1	1
30	831070	Gasket (1150-017 only)	1	0
	831504	Mounting Collar (1150-009 only) (not shown)	1	0
	805709	Mounting Bolt (1150-009) (not shown)	1	0

(1) These parts make up the complete fluid adapter (after 9/30/11)

(2) Prior to 9/30/11

(3) After 9/30/11

Exploded View Panther® 50:1 Ratio Pumps All Models



** Items 13, 13A, 14, and 15 are contained in item 16 (831788 - seal case assembly)

*Lightly apply grease to surface indicated. Use Mobile Synthetic Lubricating Mobilith SHC PM.

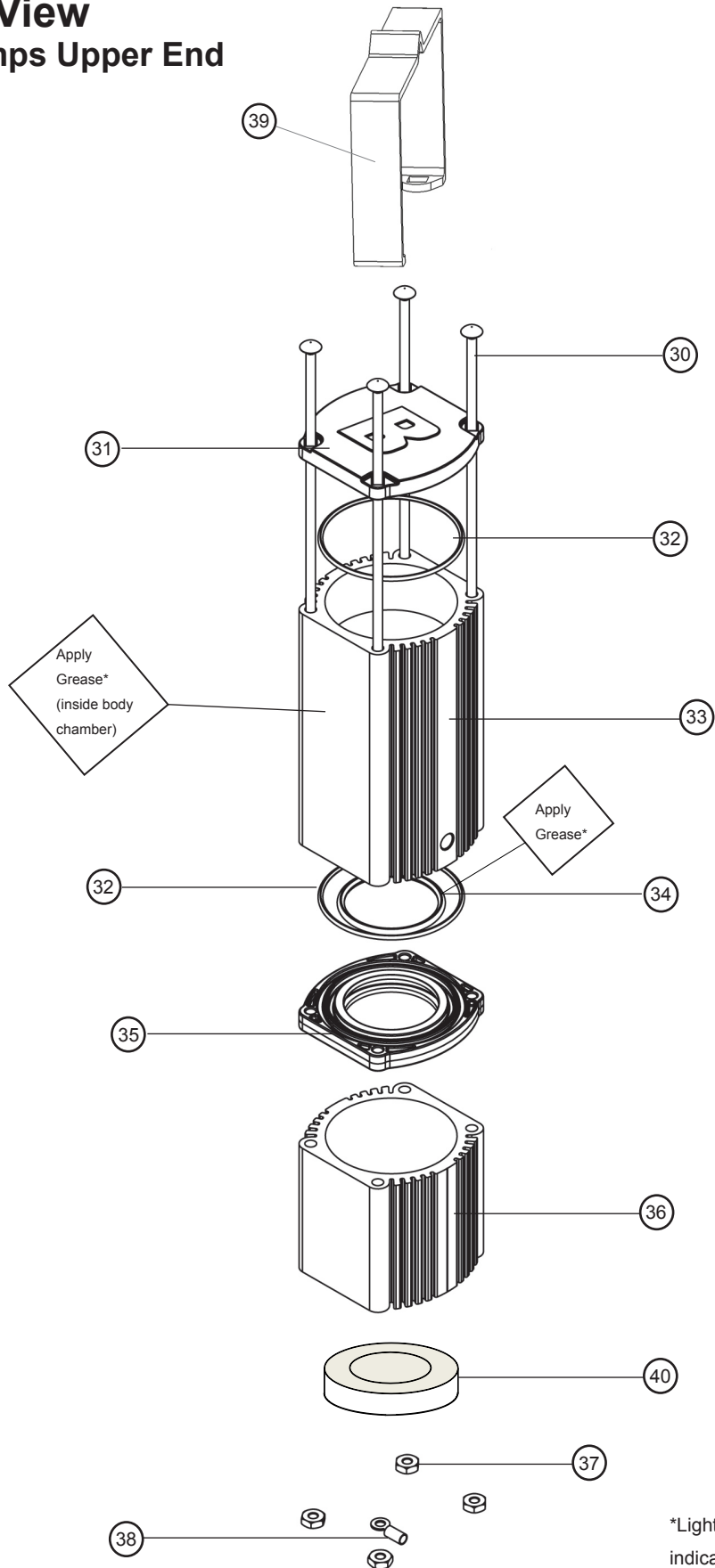
Parts List

Panther® Pumps Upper End All Models

	Part		Pump	Service
Item	Number	Description	Qty	Kit Qty
				900019
30	831510	Bolt, Carriage	4	0
31	829808	Cap, Air Motor	1	0
32	829664	O-Ring, Buna N, (-239)	2	2
33	832307	Upper Body, Air Motor	1	0
34	831552	O-Ring, Buna N, (-333)	1	1
35	829450	Seal Insert, Air Motor	1	0
36	832304	Lower Body, Air Motor	1	0
37	829658	Lock Nut	4	0
38	831489	Grounding Lug	1	0
39	832005	Handle (not used on 1150-017)	1	0
40	820189	Felt, Muffler	1	0

Note: Replacement parts can be sold as individual parts (items listed with part number) or in a service kit.

Exploded View Panther® Pumps Upper End All Models



*Lightly apply grease to surface indicated. Use Mobile Synthetic Lubricating Mobilith SHC PM.

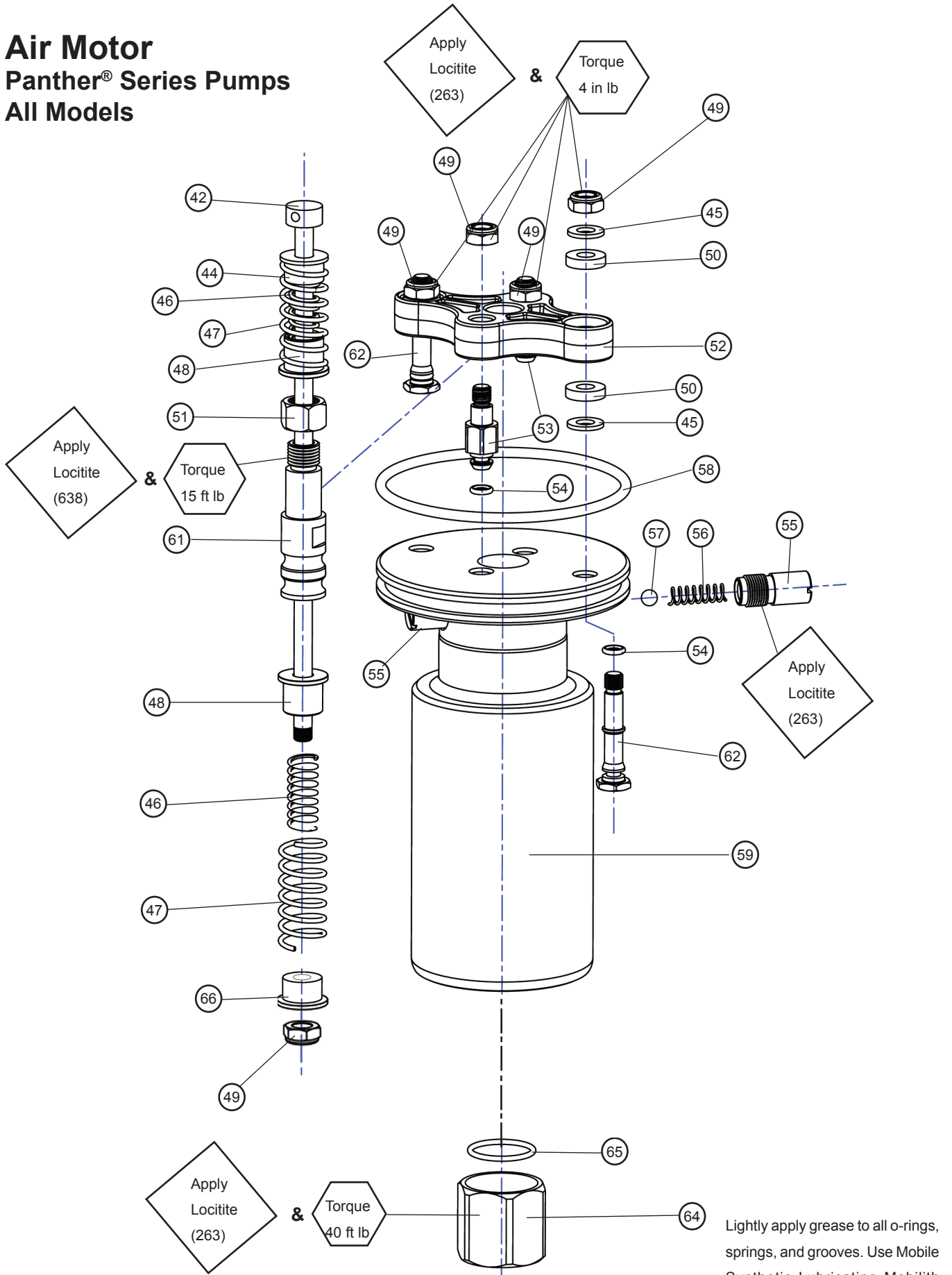
Parts List

Air Motor Panther® Series Pumps

Item	Part Number	Description	Pump Qty	Service Kit Qty
				900019
42	831779	Rod, Trip	1	1
43		Not Used		
44	831778	Delrin, Thick Shoulder	1	1
45	831532	Washer	4	4
46	830240	Spring, Inner	2	2
47	830236	Spring, Outer	2	2
48	830611	Retnr.,Spring	2	2
49	808693	Nut	5	5
50	830612	Dampner	4	4
51	830143	Nut	1	1
52	829441	Valve Bar	1	1
53	830792	Valve, Exhaust	2	2
54	831551	O-Ring, Buna N, (-008)	4	4
55	829461	Retnr., Detent	2	2
56	829661	Spring, Detent	2	2
57	805810	Ball, Detent	2	2
58	831553	O-Ring, Buna N, (-236)	1	1
59	830793	Piston, Air	1	0
60		No Longer Used	0	0
61	829999	Spool, Detent	1	1
62	830791	Valve, Intake	2	2
63		No Longer Used	0	0
64	830723	Coupler, Rod	1	0
65	819383	O-Ring, Buna N (-019)	1	1
66	831777	Delrin, Thin Shoulder	1	1

Note: Replacement parts can be sold as individual parts (items listed with part number) or in a service kit.

Air Motor Panther® Series Pumps All Models



Accessories

Filter Screen

4430-004

Inlet filter screens attach to the bottom of pump tubes on Balcrank Panther® Grease Pumps to prevent foreign matter from fouling the foot valve.



Follower Plate

Follower plates help eliminate channelling of material, remove grease from the drum wall, protect the grease from contaminants, and prevent air pockets.



4440-007 **25-35 lb**

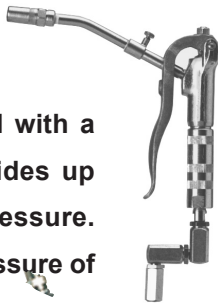
4440-008 **120 lb**

4440-009 **400 lb**

Booster Handle

3310-009

Booster handle is supplied with a 360° type swivel and provides up to 10,000 psi of grease pressure. This is twice the grease pressure of standard handles.



Flexible Extension

High pressure flexible extensions are suitable for use with air operated greasing equipment

8390-002 **18"**

8390-003 **36"**

Platform Truck

4320-008

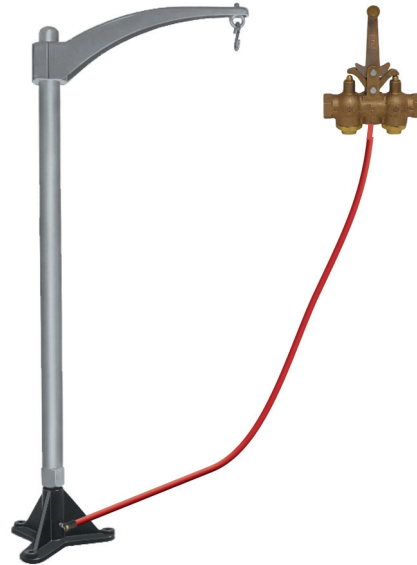
Platform truck with 10" rubber tired wheels and back caster for easy mobility. 400 lb drums are held by a chain. Front ramp design for ease of drum change.



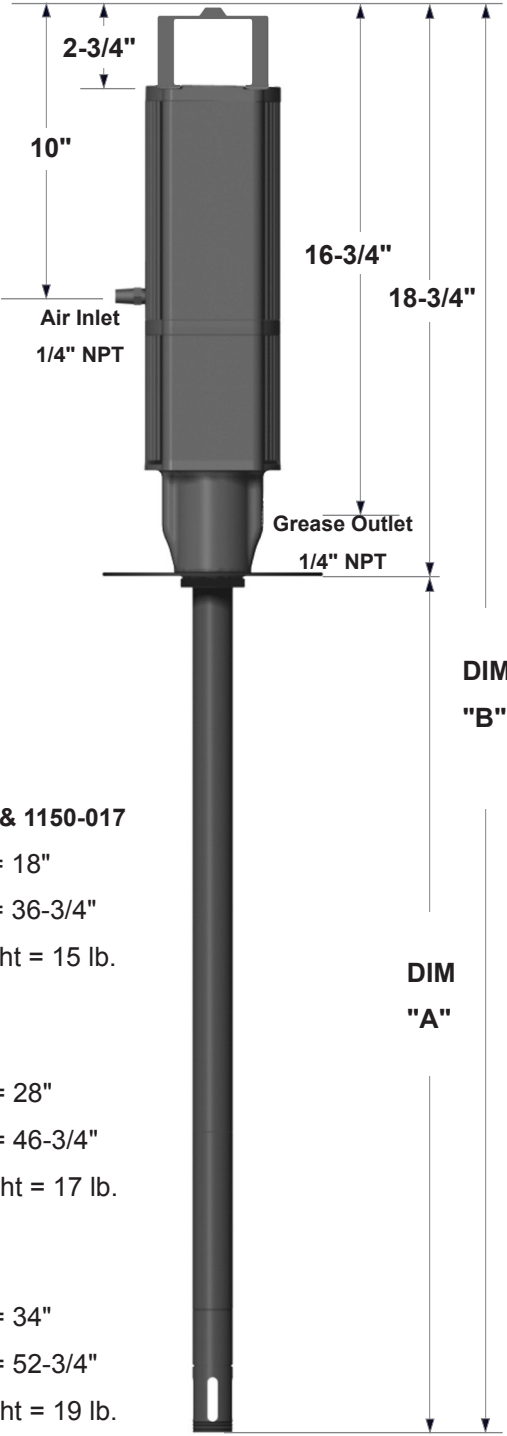
Air Operated Pump Lift

4450-001

Single post lift for pumps. Works with 120 lb or 400 lb drum sizes. Includes model 4451-001 valve for raising and lowering air lift



Pump Dimensions



1150-009 & 1150-017
 Dim "A" = 18"
 Dim "B" = 36-3/4"
 Dry Weight = 15 lb.

1150-010
 Dim "A" = 28"
 Dim "B" = 46-3/4"
 Dry Weight = 17 lb.

1150-011
 Dim "A" = 34"
 Dim "B" = 52-3/4"
 Dry Weight = 19 lb.

For Warranty Information Visit:
www.balcrank.com

Revision Log:

New Release - 6/2003

Rev. A - Changed o-ring (item 11)

Rev. B - Changed washer (item 66)

Rev. C - Added 831777 (item 66) and
831778 (item 44)

Rev. D - Changed item 13 , 14, 15,
and 16.

Rev. E - Changed item 39, 40, and 41.

Rev. F - Added Model #1150-017

Rev. G - Updated item 13, 13A, 14, 15, & 16.

Rev. H - Changed item 1.

Rev. J - Changed part #'s page 12 (item 33,36)

Rev. K - Added note to item 21 on page 11.

Rev. L - Changed Item 59.

Rev. M - Changed Item 35 to current part number.

Rev N - Changed muffler part number (item 40) and
location of muffler for serial numbers 112410 and
higher

Rev. O - Changed Item 59.

Rev. P - Updated Technical Data.

Rev. Q - Revised part numbers for items 1, 7, and 8
on page10

Rev. R - Corrected/Modiifed O-rings - item 11 on
page 10.

Rev. S - Removed obsolete items from page 16.

Balcrank® Corporation
115 Reems Creek Rd.
Weaverville, NC 28787
800-747-5300
800-763-0840 Fax
www.balcrank.com
Service Bulletin SB1063
Rev. S 05/14