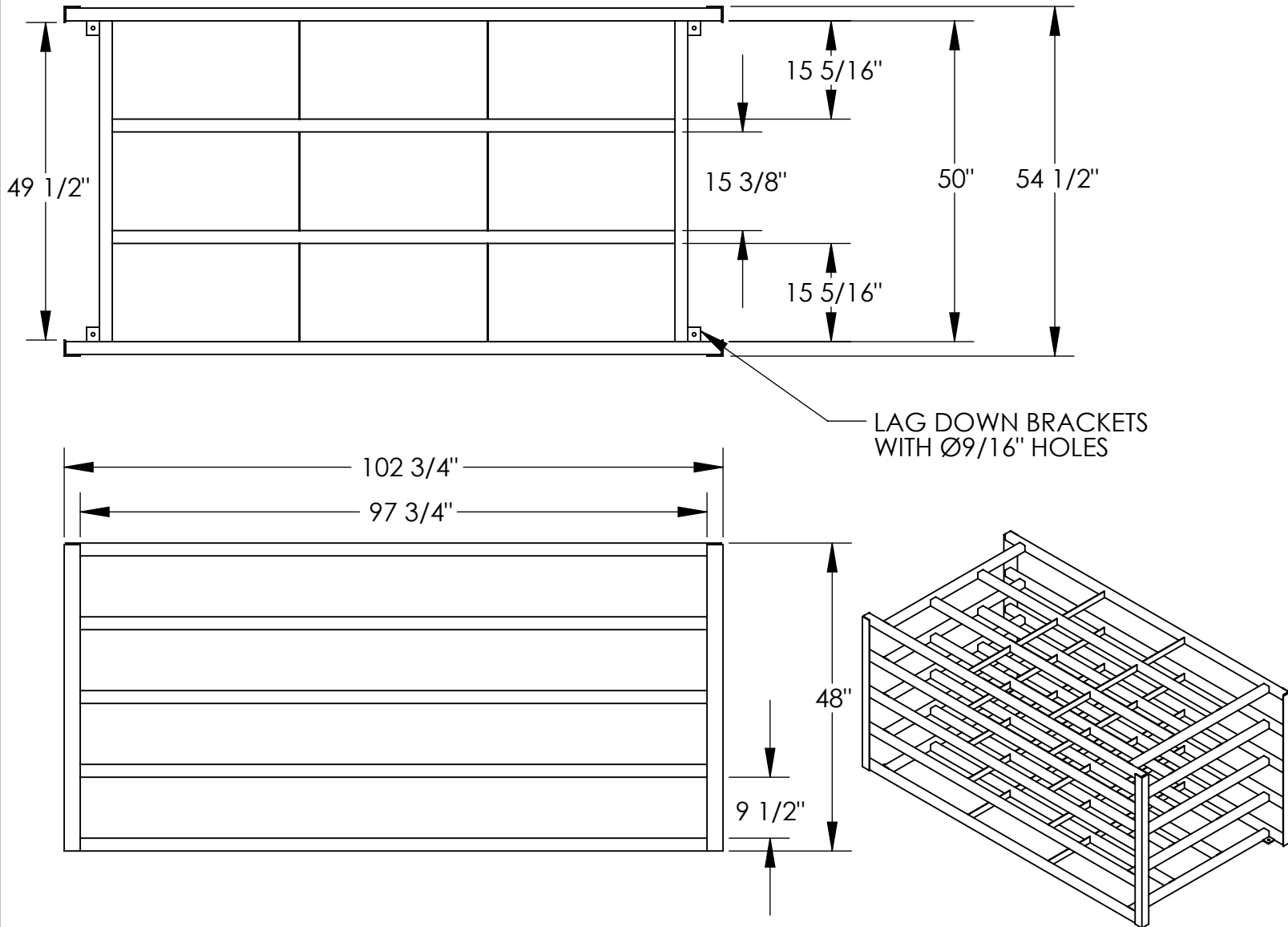


# HORIZONTAL SHEET RACK - SHEET-R-57



CHANGES, DELETIONS, OR OMISSIONS MUST BE CORRECTED ON THIS DRAWING. THIS DRAWING WILL BE CONSIDERED ALL INCLUSIVE FOR REFERENCE ONLY. DIMENSIONS PROVIDED ARE FOR REFERENCE ONLY. IF CERTAIN DIMENSIONS DO NOT MATCH, PLEASE VERIFY THOSE DIMENSIONS WITH YOUR SALESPERSON.

## STANDARD FEATURES

- MODEL NUMBER IS SHEET-R-57
- CAPACITY IS 2,000 LBS. PER SHELF
- OVERALL WIDTH IS 54 1/2"
- USABLE WIDTH IS 49 1/2"
- OVERALL LENGTH IS 102 3/4"
- USABLE LENGTH IS 97 3/4"
- OVERALL HEIGHT IS 48"
- 5 SHELVES
- 9 1/2" DISTANCE BETWEEN SHELVES
- UNIT SUPPLIED WITH LAG DOWN BRACKETS

## SPECIAL FEATURES

NONE

**ALL SPECIAL UNITS ARE NON-RETURNABLE**

I, the undersigned, hereby approve this print. This includes my approval of design & dimensions

[ ] As drawn [ ] As marked

Signed: \_\_\_\_\_ Date: \_\_\_\_\_

**LEAD TIME WILL START UPON RECEIPT OF SIGNED APPROVAL DRAWING**

DISTRIBUTOR'S NAME:		P.O.#	
VESTIL MANUFACTURING		X	
DRAWN BY:	DATE:	W.O.#	
NF	6/17/05	X	
REFERENCE:	SCALE: 1:24	SALES:	
X	X	X	
QUOTE #	FILE NAME:		
X	31-007-008		