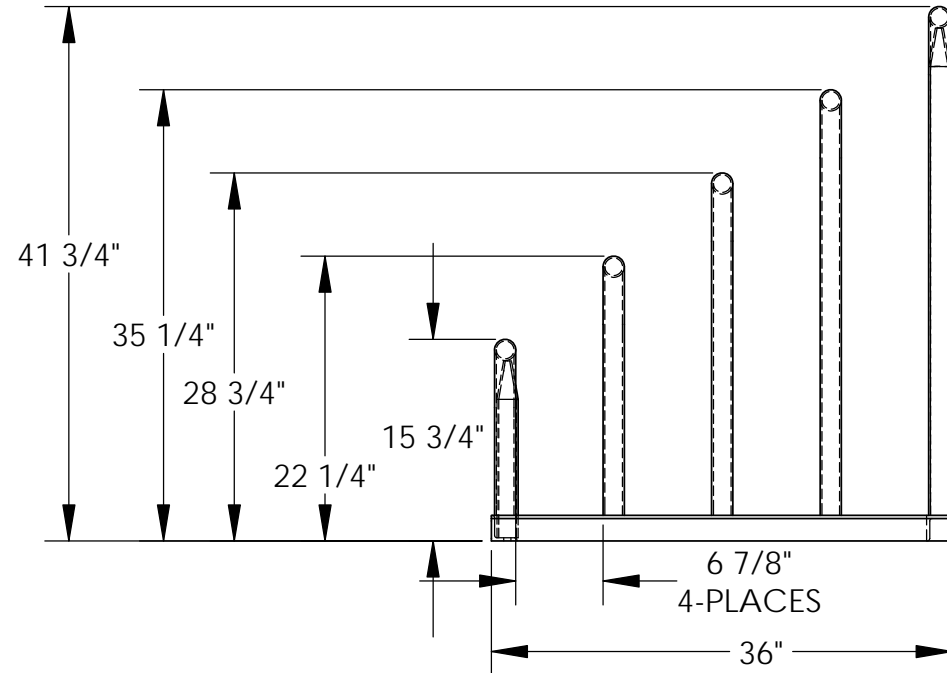
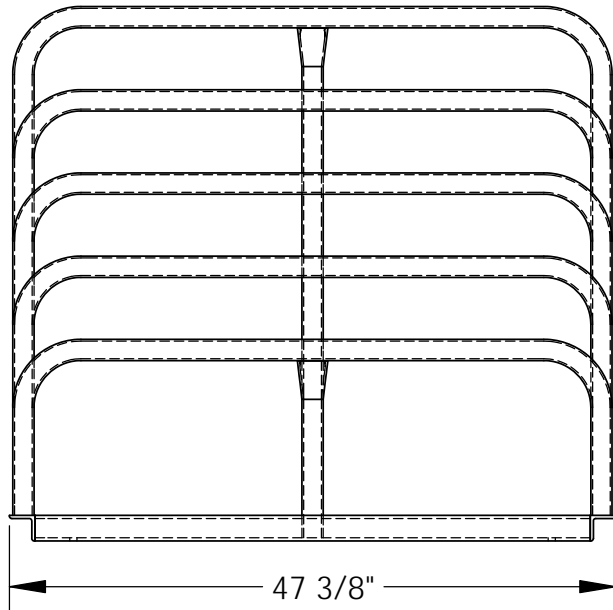


# VARIABLE HEIGHT SHEET RACK - VHSR-4

APPROX WEIGHT: 251.98 lbs.  
DOES NOT INCLUDE WEIGHT OF POWER OR PACKAGING!!!

\*\*\* ANY ADDITIONS, DELETIONS, OR OMISSIONS MUST BE CORRECTED ON THIS DRAWING AS THIS DRAWING WILL BE CONSIDERED ALL INCLUSIVE \*\*\*

ALL GRAPHICS PROVIDED ARE FOR REFERENCE ONLY. IF CERTAIN DIMENSIONS ARE CRITICAL PLEASE VERIFY THOSE DIMENSIONS WITH YOUR SALESPERSON



## STANDARD FEATURES

- MODEL #: VHSR-4
- 4 BAYS FOR STORAGE
- 6 7/8" BETWEEN BAYS
- CAPACITY IS 1500 LBS PER BAY
- OVERALL HEIGHT IS 41 3/4"
- OVERALL LENGTH IS 36"
- OVERALL WIDTH IS 47 3/8"
- BASE HAS 2 LAG DOWN HOLES FOR 1/2" LAG BOLTS

A P P R O V A L	I, THE UNDERSIGNED, AGREE THAT THE PRODUCT AS REPRESENTED SATISFIES DESIGN AND DIMENSION REQUIREMENTS. I ALSO ACKNOWLEDGE MY DUTY TO CONFIRM PRODUCT AND INSTALLATION COMPLIANCE WITH ALL APPLICABLE FEDERAL, STATE AND LOCAL REGULATIONS AND STANDARDS.	
	<b>ALL SPECIAL UNITS ARE NON-RETURNABLE</b>	
	[ ] As drawn      [ ] As marked	
	Signed: _____	Date: _____
<b>LEAD TIME WILL START UPON RECEIPT OF SIGNED APPROVAL DRAWING</b>		

FOR INTERNAL USE ONLY PROJECT SIGN OFF		DISTRIBUTOR'S NAME:		P.O.#
		VESTIL MANUFACTURING		X
SALES		DRAWN BY: X	DATE: XX/XX/XX	W.O.#
ENG.		REFERENCE: X	SCALE: 1:15	X
FAB.		QUOTED LEAD TIME: X	QUOTE #	FILE NAME:
POWER			X	31-007-001