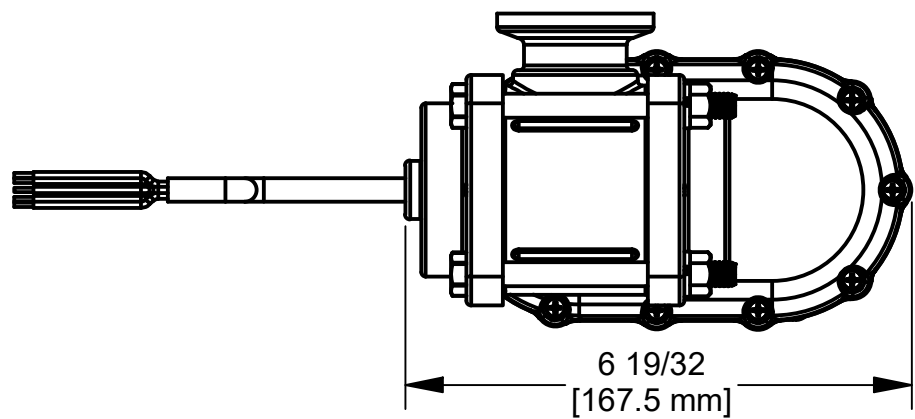
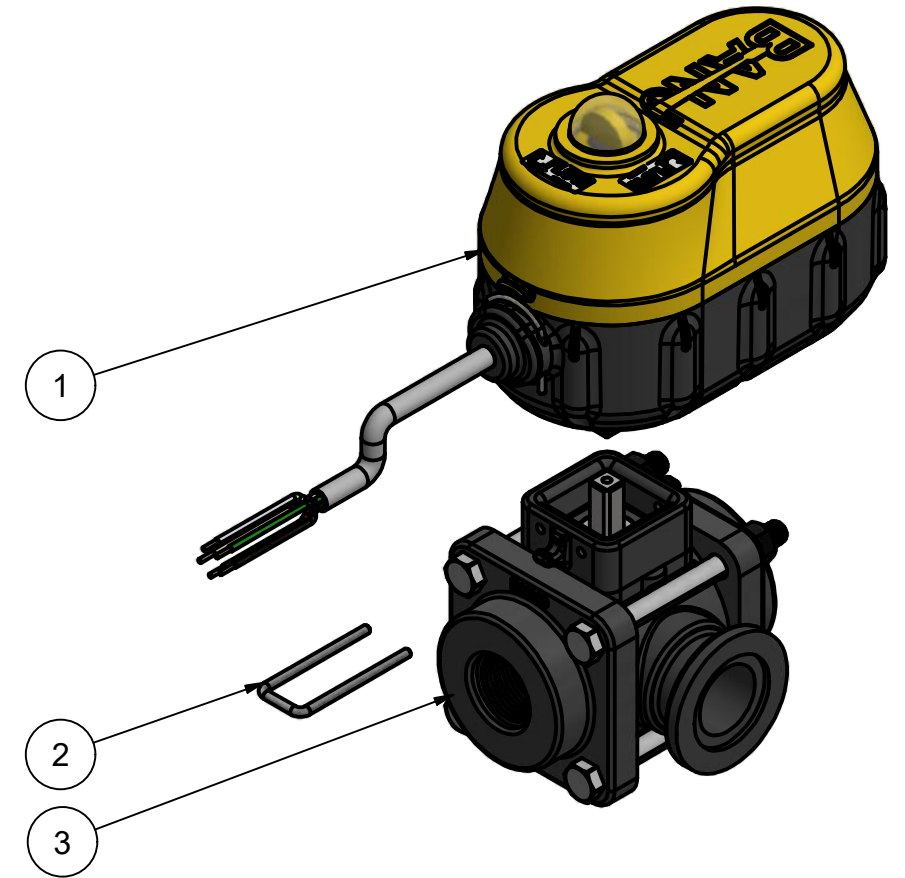
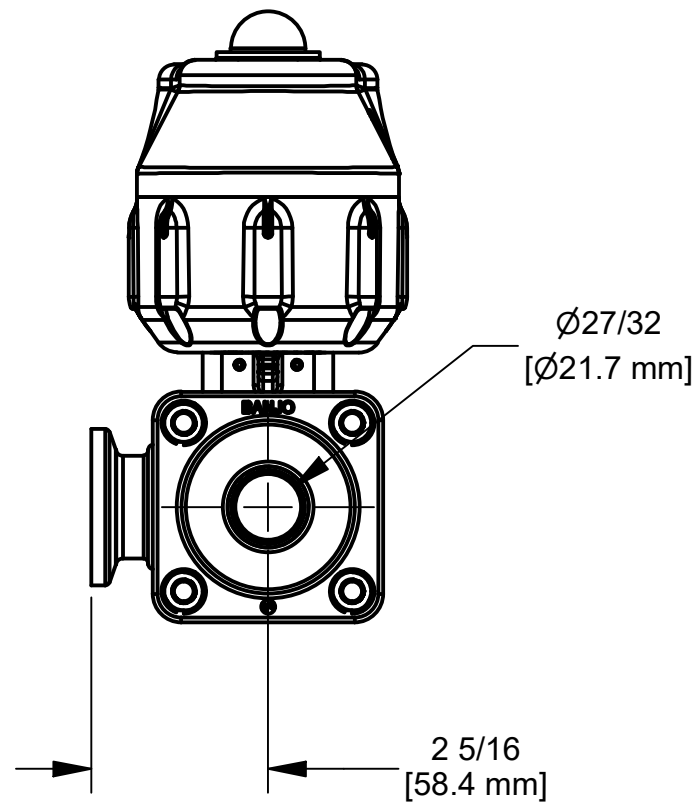
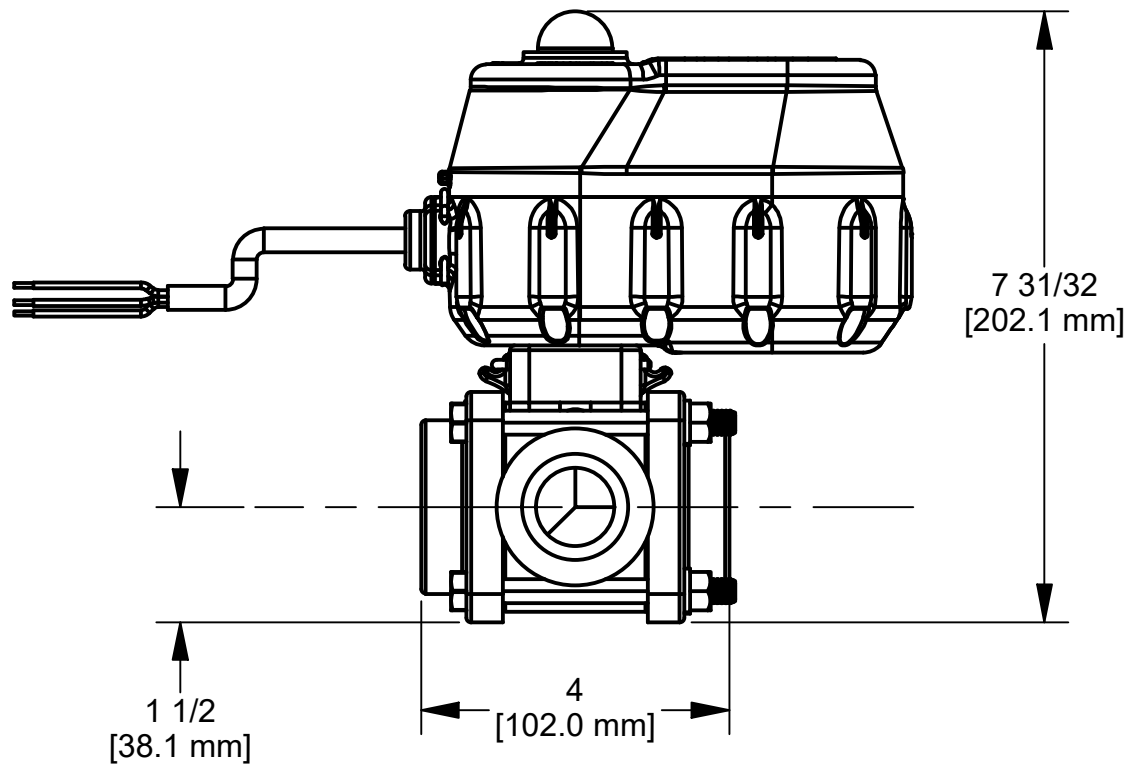


WIRING:
 RED = +24VDC
 BLACK = GND
 WHITE = +24VDC (OPEN), 0VDC (CLOSE)
 GREEN = +24VDC FEEDBACK (OPEN)
 BROWN = +24VDC FEEDBACK (CLOSED)

WIRE LENGTH: 18" ± 1"

Parts List			
ITEM	QTY	PART NUMBER	DESCRIPTION
1	1	EP22A10523	EVX ACT 0.75S WWC 5W 24V OP/CL-VFY
2	1	EVP20001	EV U-PIN
3	1	EVX075SLX	EVX 3/4" NPT SL BOLTED VALVE ONLY



THIS DRAWING AND ALL INFORMATION CONTAINED THEREON ARE THE EXCLUSIVE PROPERTY OF BANJO CORPORATION.

UNLESS SPECIFICALLY NOTED, THIS DRAWING AND ITEMS SHOWN ON THIS DRAWING ARE SUBJECT TO CHANGE AT ANY TIME.

BANJO CORPORATION

BANJO CORPORATION
 150 BANJO DRIVE, CRAWFORDSVILLE, IN 47933
 WEB SITE: WWW.BANJOCORP.COM
 E-MAIL: BANJOSALES@IDEXCORP.COM

DESCRIPTION
 EVX 1"NPT SL 0.75S WWC 5W 24V
 OPEN/CLOSE VERIFY

PART NUMBER
 EVX075SL24F3