

Type 58 Elastomer Seated Butterfly Valves



PP	PVDF	CRN REGISTRATION PENDING
SERIES:	Type 58	
BODY TYPE:	Wafer	
SIZES:	1-1/2" to 8" Lever Operated 1-1/2" to 24" Gear Operated	
MATERIALS:	Body: PP or PVDF ¹ Disc: PP (standard), PVC ² , CPVC or PVDF	
SEAT & O-RINGS:	EPDM, FKM (Viton®) ³ or FKM-F	



Chemline Type 58 Butterfly Valves are designed for ON/OFF and throttling control applications in heavy industries. They have a large size range, 1-1/2" to 24". All sizes have Polypropylene (PP) bodies as standard, offered at prices competitive with similar PVC body valves. A higher pressure/temperature safety factor is a bonus especially for hazardous services. Prices are lower than other PP body valves. A choice of disc and seat materials is available as well bodies in PVDF.

Features

Compact and Light Weight

High Corrosion Resistance

- Proven disc seal design prevents wetting of shaft
- Solid plastic body – no rust
- PP hand lever and plastic gear operators up to 10"

Abrasion Resistant

- Solid plastic disc
- PVDF disc available for high abrasion resistance

316 SS Shaft

Easily Installed

- Full bolt hole circle makes installation and alignment easy
- No gaskets are necessary

ASTM D4101

- The PP material of the disc and body has been tested as per ASTM D4101

¹ PVDF bodies and discs are available up to 12"; PP bodies and PVDF discs are available up to 16"

² PVC or CPVC discs are available up to 10"

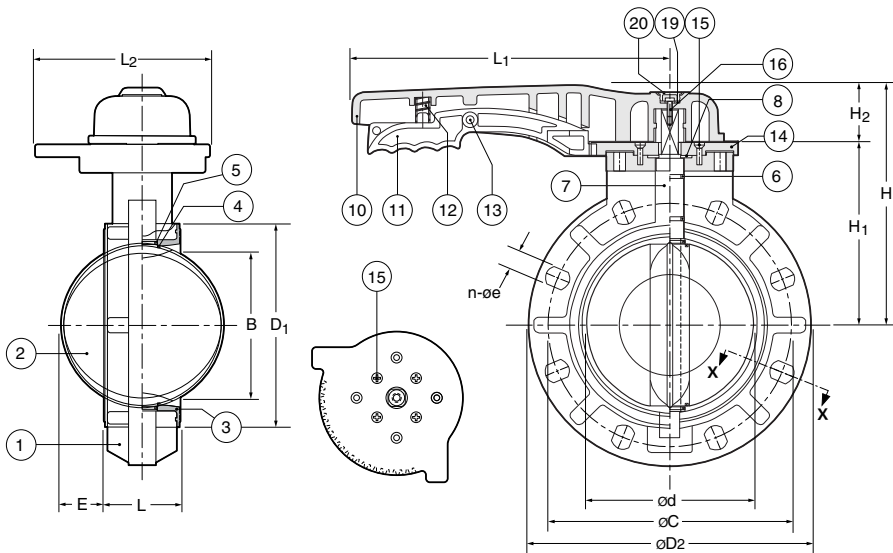
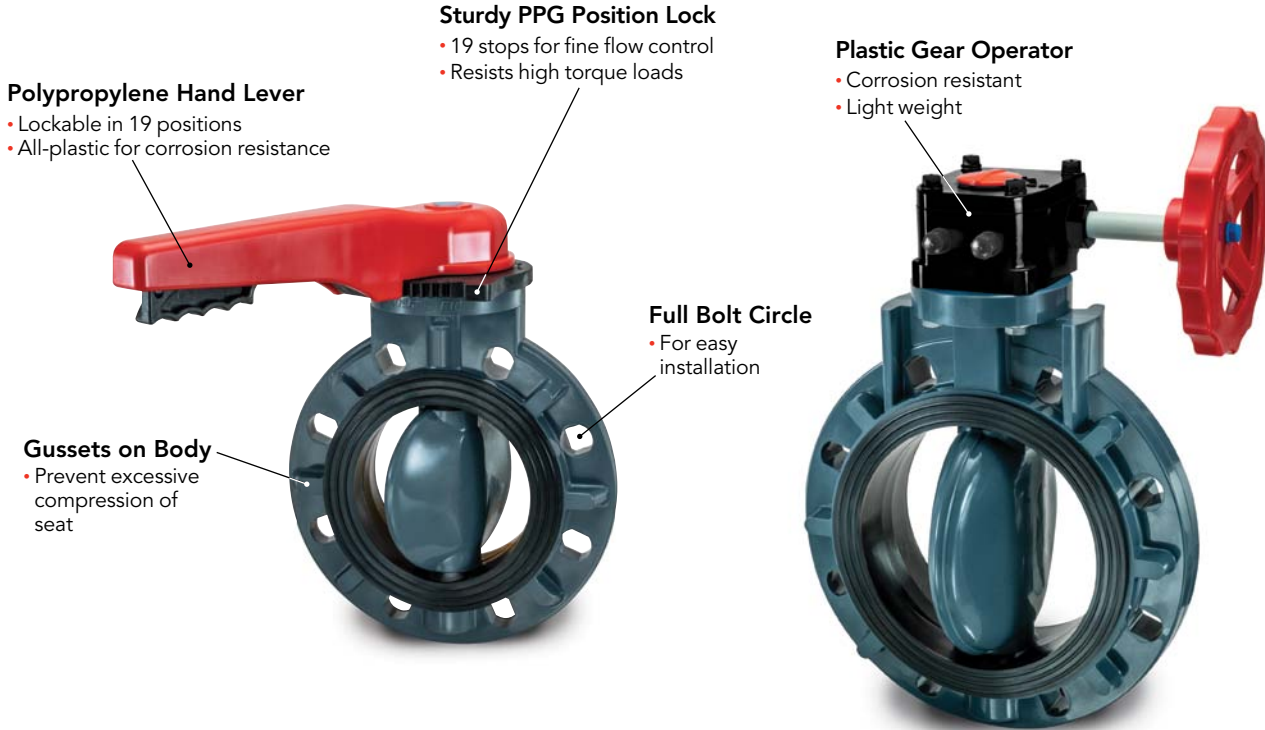
³ FKM (Viton®) or FKM-F seats are available up to 16"

NOTE: For PVDF bodies and discs up to 20", PVC or CPVC discs up to 24", FKM (Viton) seats up to 24" refer to Type 59

Type 58 Elastomer Seated Butterfly Valves



Engineered for Superior Performance



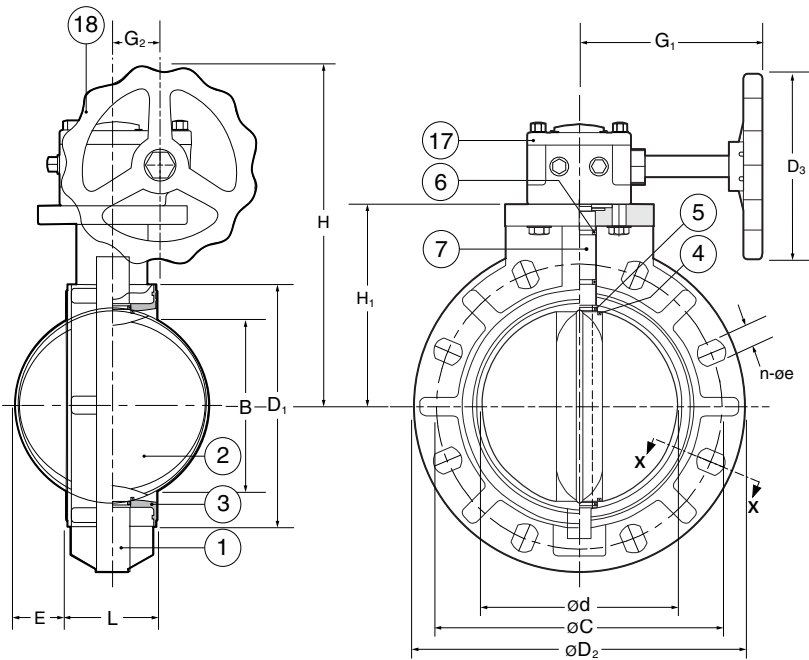
1-1/2" to 8" Lever Operated

DIMENSIONS – LEVER OPERATED INCHES

Size	d	L	L ₁	L ₂	D ₁	D ₂	B*	C	E	n	e	H	H ₁	H ₂
1-1/2"	1.93	1.53	8.66	4.37	3.09	5.90	1.65	3.88	0.20	4	0.63	5.59	4.01	1.58
2"	2.28	1.65	8.66	4.37	3.46	6.49	1.97	4.75	0.33	4	0.75	5.71	4.13	1.58
2-1/2"	2.72	1.85	8.66	4.37	4.07	7.28	2.44	5.50	0.48	4	0.75	6.18	4.60	1.58
3"	3.11	1.77	9.84	4.37	4.80	7.87	2.78	6.00	0.67	4	0.75	6.46	4.84	1.58
4"	3.97	2.20	9.84	4.37	5.91	9.01	3.62	7.50	0.88	8	0.75	7.28	5.71	1.58
6"	5.90	2.87	12.72	6.22	7.17	11.30	5.63	9.50	1.59	8	0.86	9.60	7.32	2.28
8"	8.19	3.70	12.72	6.22	10.24	13.42	7.80	11.75	2.25	8	0.86	10.98	8.70	2.28

*B=Minimum inside diameter (I.D.) of mating pipe. If I.D. of pipe is B dimension or less, the inside of pipe must be chamfered or spacers provided. Consult Chemline.

Type 58 Elastomer Seated Butterfly Valves



1-1/2" to 24" Gear Operated

PARTS

▲ Recommended Spare Parts

No.	Part	Pcs.	Materials	
1	Body	1	PP, PVDF	
2	Disc	1	PP, CPVC, PVDF	
3▲	Seat	1	EPDM, FKM (Viton [®])	
4▲	Large Disc O-Ring	2	EPDM, FKM (Viton [®])	
5▲	Small Disc O-Ring	2	EPDM, FKM (Viton [®])	
6▲	Shaft O-Ring	1	EPDM, FKM (Viton [®])	
7	Shaft	1	316 SS	
8	Shaft Washer	1	PP	
10	Hand Lever	1	PPG	
11	Trigger	1	PPG	
12	Spring	1	304 SS	
13	Pin	1	PP	
14	Position Lock Plate	1	PPG	
15	Plate Screw	3	304 SS	
16	Hand Lever Screw	1	304 SS	
17	Gear	1-1/2" to 10"	1	ABS
	Operator	12" to 24"	1	Cast Iron
18	Hand Lever	1	PP	
19	Handle Screw Washer	1	304 SS	
20	Hand Lever Cap	1	PP	

DIMENSIONS – GEAR OPERATED INCHES

Size	d	B*	L	G ₁	G ₂	D ₁	D ₂	D ₃	C	E	n	e	H	H ₁	H ₂
1-1/2"	1.93	1.65	1.53	4.09	1.04	3.09	5.90	4.33	3.88	0.20	4	0.63	7.09	3.78	2.79
2"	2.28	1.97	1.65	4.09	1.04	3.46	6.49	4.33	4.75	0.33	4	0.75	7.12	3.82	2.79
2-1/2"	2.72	2.44	1.85	4.09	1.04	4.07	7.28	4.33	5.50	0.48	4	0.75	7.56	4.25	2.79
3"	3.11	2.78	1.77	4.09	1.04	4.80	7.87	4.33	6.00	0.67	4	0.75	7.83	4.53	2.79
4"	3.97	3.62	2.20	4.68	1.46	5.91	9.01	5.94	7.50	0.88	8	0.75	9.74	5.39	3.34
6"	5.90	5.63	2.87	4.68	1.46	6.19	11.30	5.94	9.50	1.59	8	0.86	11.28	6.93	3.34
8"	8.19	7.80	3.70	6.85	1.79	10.24	13.42	7.72	11.75	2.25	8	0.86	13.82	8.42	3.38
10"	10.08	9.80	4.37	7.48	–	12.40	16.26	7.72	14.24	2.89	12	0.98	14.96	9.64	–
12"	12.40	11.97	5.16	8.07	–	14.61	19.29	8.86	17.00	3.57	12	0.98	18.86	12.01	–
14"	13.82	13.46	5.28	8.07	–	15.79	20.55	8.86	18.75	4.27	12	1.10	18.66	11.81	–
16"	15.75	15.31	6.77	8.07	–	18.27	23.62	8.86	21.25	4.45	16	1.10	20.24	13.38	–
18"	17.79	17.34	7.05	13.38	–	20.67	24.80	16.06	22.75	3.32	16	1.26	26.02	15.43	–
20"	19.76	19.33	7.60	13.38	–	22.81	27.52	16.06	25.00	6.04	20	1.26	27.20	16.61	–
24"	23.78	23.15	8.23	13.38	–	27.15	32.01	16.06	29.50	7.67	20	1.38	29.76	19.17	–

*B=Minimum inside diameter (I.D.) of mating pipe. If I.D. of pipe is B dimension or less, the inside of pipe must be chamfered or spacers provided. Consult Chemline.

Type 58 Elastomer Seated Butterfly Valves



WORKING PRESSURES PSI

Size	PP Body / PP Disc			PP Body / PVC Disc	PP Body / CPVC Disc		PVDF Body / PVDF Disc			
	-20 to 60°C	70°C	80°C	0 to 50°C	0 to 60°C	90°C	-20 to 60°C	80°C	100°C	120°C
	-4 to 140°F	158°F	176°F	32 to 122°F	32 to 140°F	194°F	-4 to 140°F	176°F	212°F	248°F
1-1/2"	150	120	100	150	150	90	150	100	90	75
2"	150	120	100	150	150	90	150	100	90	75
2-1/2"	150	120	100	150	150	90	150	100	90	75
3"	150	120	100	150	150	90	150	100	90	75
4"	150	120	100	150	150	90	150	100	90	75
6"	150	120	100	150	150	75	150	100	90	75
8"	150	120	90	150	150	75	150	90	75	60
10"	150	120	90	150	150	75	150	90	75	60
12"	110	90	60	-	-	-	110	60	45	30
14"	110	90	60	-	-	-	-	-	-	-
16"	90	60	45	-	-	-	-	-	-	-
18"	75	60	45	-	-	-	-	-	-	-
20"	50	40	30	-	-	-	-	-	-	-
24"	50	40	30	-	-	-	-	-	-	-

Cv VALUES VS. DISC ANGLE/DISC

NET WEIGHTS LBS.

FLANGE BOLT TORQUES

Size	Operator	20°	30°	45°	60°	75°	90°	PP Body/ PP Disc	PP Body/ CPVC Disc	PVDF Body/ PVDF Disc	Foot -Lbs.
1-1/2"	Lever	0	4	18	46	57	71	2.4	2.9	3.3	15
2"	Lever	0	6	30	78	96	120	2.6	3.3	3.5	17
2-1/2"	Lever	0	13	63	163	200	250	3.1	3.7	4.2	17
3"	Lever	0	15	75	195	240	300	3.3	4.2	4.6	22
4"	Lever	0	24	118	306	376	470	4.9	6.4	7.3	22
6"	Lever	0	55	275	715	880	1,100	9.7	13.1	14.6	30
8"	Lever	0	125	625	1,625	2,000	2,500	15.0	16.0	17.5	41
8"	Gear	0	125	625	1,625	2,000	2,500	35.1	46.0	51.8	41
10"	Gear	0	193	965	2,509	3,088	3,860	68.8	85.5	95.3	41
12"	Gear	0	285	1,425	3,705	4,560	5,700	77.2	-	98.9	44
14"	Gear	0	322	1,610	4,186	5,152	6,440	86.2	-	-	44
16"	Gear	0	417	2,085	5,421	6,672	8,340	101.2	-	-	58
18"	Gear	0	545	2,723	7,079	8,712	10,890	153.8	-	-	58
20"	Gear	0	703	3,515	9,139	11,248	14,060	181.1	-	-	72
24"	Gear	0	925	4,625	12,025	14,800	18,500	261.2	-	-	72

SAMPLE SPECIFICATION

- All plastic butterfly valves sizes 1-1/2" to 24" for PVC, PE or PP piping will be Chemline Type 58 or equal.
- Valve bodies will be wafer style one-piece moulded in Polypropylene (PP).
- Wafer style body will have a full set of locating bolt holes, dimensions according to ASME/ANSI B16.5 Class CL 150.
- The PP material of the disc and body has been tested as per ASTM D4101.
- Flow direction will be bidirectional. Valve will seal closed with pressure on either side.
- Discs shall be solid PP, PVC, CPVC or PVDF and will have EPDM or FKM (Viton®) double o-ring disc seals top and bottom.
- Shaft shall be 316 stainless steel.
- Seat will be EPDM or FKM (Viton®), full seat type with raised o-ring face.
- Operator mounting flange and shaft dimensions have standard dimensions according to DIN 5211 for exchange of manual operators or actuators. Fasteners used to mount operators will not be pressure retaining.
- 1-1/2" to 6" shall have hand lever moulded of PPG with 19-stop position lock plate.
- All gear operators will have visual position indicator and open/close position travel stops that allow adjustment of the disc closing. Sizes 8" to 10" shall have ABS gear operator with PP hand wheel. Sizes 12" to 24" will be supplied with epoxy coated cast iron gear operator.

Type 58 Elastomer Seated Butterfly Valves



Options and Accessories



Lock-out Handle & Hasp

- To prevent unauthorized operation of the valve during maintenance shut-downs
- Padlocks go through holes in hasp



Limit Switches

- Available for lever and gear operated valves
- Electrical feedback of manual valve position
- NEMA 4X enclosure, position indicator beacon, 2x SPDT switches, stainless steel hardware



Municipal Operating Nut

- For buried service



Valve Tags

- Stainless steel or plastic

Stem Extensions

- Different materials and lengths are available
- Several designs:
 - with no housing for indoors
 - with waterproofed PVC housing for indoors or outdoors
 - with stainless steel housing for buried services



Chain Wheel Operator

- For overhead operation
- Cast iron is standard, stainless steel is available
- Bolts onto gear operator



ORDERING EXAMPLE

Chemline Type 58 Butterfly Valves	58	B	060	B	E	L
Body	B – PP	K¹ – PVDF				
Size	015 – 1-1/2" 020 – 2" 025 – 2-1/2" 030 – 3" 040 – 4" 060 – 6" 080 – 8"					
	100 – 10" 120 – 12" 140 – 14" 160 – 16" 180 – 18" 200 – 20" 240 – 24"					
Disc	B – PP	A² – PVC	C² – CPVC	K¹ – PVDF		
Seat	E – EPDM	V³ – FKM (Viton®)				
Operator	L – Hand Lever	G – Gear Operator				

Example: Chemline Type 58 Butterfly Valve, PP body, 6", with PP disc, EPDM seat, hand lever

¹ PVDF bodies and discs are available up to 12", ² PVC or CPVC discs are available up to 10", ³ FKM (Viton®) or FKM-F seats are available up to 16"

Type 58.DS.09.25.24

Type 58 Elastomer Seated Butterfly Valves



Electric Actuation

Refer to actuator data page for detailed information.

All electric actuators have these STANDARD FEATURES:

- Polyamide plastic housings or covers – corrosion resistant and light weight
- NEMA 4X/IP65 water resistance enclosure rating
- CSA Approved or Special Inspection labelled
- Reversible operation
- Multi-voltage operation
- Standard ISO 5211 mounting dimensions
- Irreversible gearing – backlash is impossible



ER Series



VS Series



Optional Control Station

- Adjustable travel through the full range
- No maintenance is required
- Heater/thermostats for humid locations and cold weather operation
- Two extra switches for valve position feedback

Electric Actuator Selection

Model	ERS Series	ER Series	ERF Series	V Series
FEATURES	STANDARD	FULL FEATURE	FAST ACTING	HIGHER TORQUE
Type 58 valve sizes	1-1/2" to 2-1/2"	1-1/2" to 4"	1-1/2" to 2-1/2"	1-1/2" to 24"
Voltage	120/240 VAC	120/240 VAC 12/24 VDC 24 VAC	12 VAC/VDC 24 VAC/VDC	120/240 VAC 12/24 VDC 24 VAC
Cycle Time sec/90°	12	12	6 3.5	30
Duty Cycle	30%	50%	30%	50%
CSA	Special Inspection Label	Approved	Special Inspection Label	Approved
ON/OFF Control	3-Wire/2-Wire	3-Wire/2-Wire	3-Wire/2-Wire	3-Wire/2-Wire
Gear Train	Spur Gears	Spur Gears	Spur Gears	Epicyclic
Mechanical Travel Stops	Fixed	Fixed	Fixed	Adjustable
DIN Plug Wiring Connectors	✓	✓	✓	✗
Two Position Feedback Switches	✓	✓	✓	✓
Valve Position Indicator	Knob	Knob	Knob	Dome
Manual Override	Declutching	Declutching	Declutching	Without Declutching
Override Device	Knob	Knob	Knob	Hand Wheel
Operating Temperature Range	-10 to 60C (15 to 140°F)	-10 to 60C (15 to 140°F)	-10 to 60C (15 to 140°F)	-20 to 70C (-4 to 158°F)
Onboard Electronic Torque Limiter	✗	✓	✗	✓
Onboard General Fault Relay	✗	✓	✗	✓
Onboard Diagnostics	✗	✓	✗	✓
ENCLOSURE OPTIONS				
Metal Cover for IP68 Rating	✗	✗	✗	✓
Low Temperature Option	✗	✗	✗	-50 to 70C (-58 to 158°F)
POSITION FEEDBACK OPTIONS				
Position Feedback Potentiometer	✓	✓	✓	✓
Transmitter	✓	✓	✓	✓
Extra Limit Switches ¹	✓	✓	✓	✓
CONTROL OPTIONS				
Digital Positioner	✗	✓	✗	✓
Failsafe Internal Battery Pack	✗	✓	✗	✓
Local/Remote Control Switch Box	✓	✓	✓	✓
MODBUS Module	✗	✓	✗	✓
Bluetooth Control	✗	✓	✗	✓

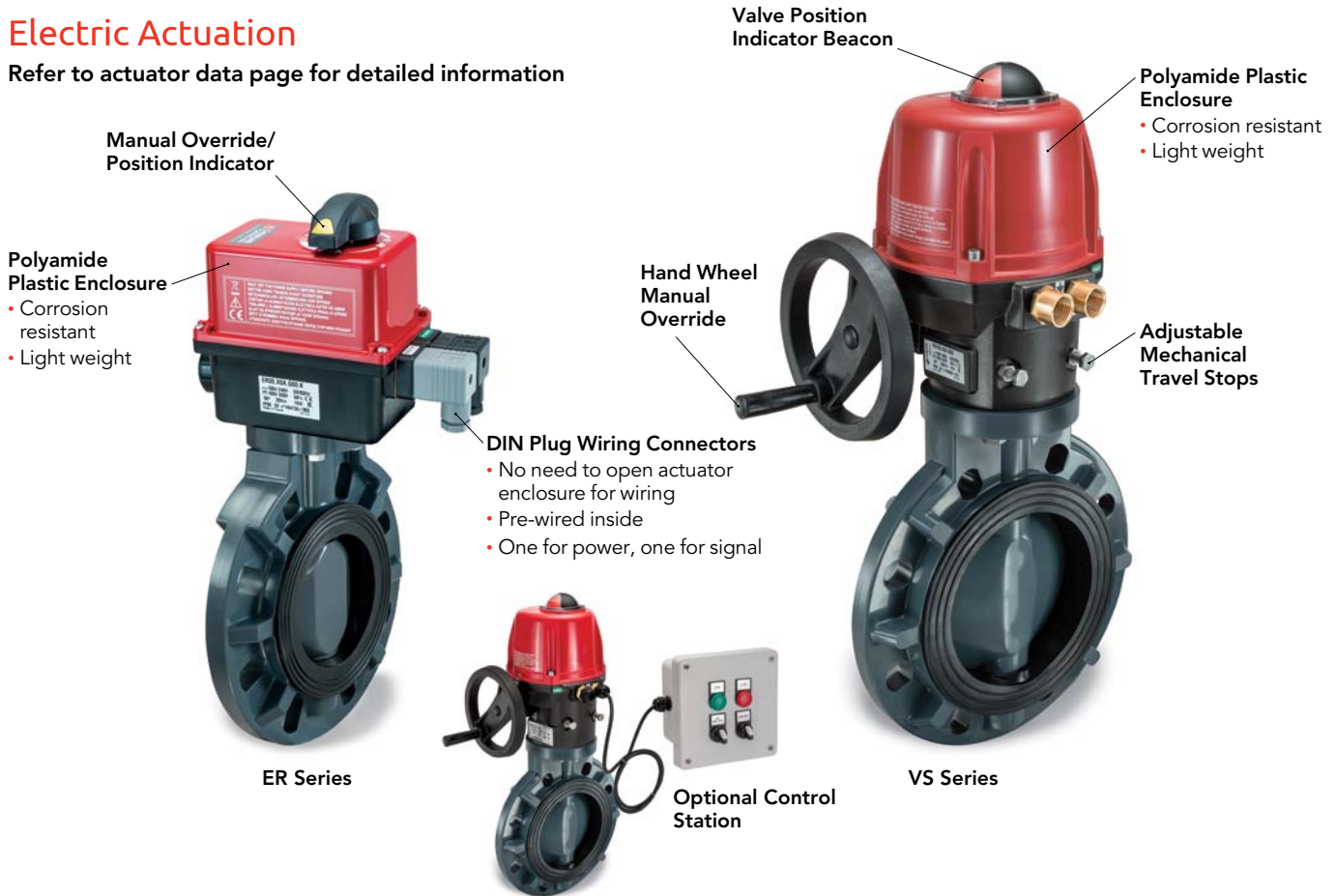
¹ 2 feedback switches are already supplied as standard

Type 58 Elastomer Seated Butterfly Valves



Electric Actuation

Refer to actuator data page for detailed information



Electric Actuation Item Numbers

Item numbers are for actuators including mounting to valve and bench testing

Model	ERS Series				ERF Series				
	Max. Line Pressure (psi)	Cycle Time/90°	120/240 VAC (50/60 Hz) Item No.	12/24 VDC & 24 VAC (50/60 Hz) Item No.	Max. Line Pressure (psi)	Cycle Time/90°	12 VDC & 12 VAC (50/60 Hz) Item No.	Cycle Time/90°	24 VDC & 24 VAC (50/60 Hz) Item No.
1-1/2"	150	12 sec	58015-ERS20.12	58015-ERS20.346	150	6 sec	58015-ERF20.35	3.5 sec	58015-ERF20.46
2"	150	12 sec	58020-ERS20.12	58020-ERS20.346	150	6 sec	58020-ERF20.35	3.5 sec	58020-ERF20.46
2-1/2"	150	12 sec	58025-ERS20.12	58025-ERS20.346	150	6 sec	58025-ERF20.35	3.5 sec	58025-ERF20.46

Model	ER Series				V Series			
	Max. Line Pressure (psi)	Cycle Time/90°	120/240 VAC (50/60 Hz) Item No.	12/24 VDC & 24 VAC (50/60 Hz) Item No.	Max. Line Pressure (psi)	Cycle Time/90°	120/240 VAC (50/60 Hz) Item No.	12/24 VDC & 24 VAC (50/60 Hz) Item No.
1-1/2"	150	12 sec	58015-ER20.12	58015-ER20.346	150	30 sec	58015-VS150.12	58015-VS150.346
2"	150	12 sec	58020-ER20.12	58020-ER20.346	150	30 sec	58020-VS150.12	58020-VS150.346
2-1/2"	150	12 sec	58025-ER20.12	58025-ER20.346	150	30 sec	58025-VS150.12	58025-VS150.346
3"	150	12 sec	58030-ER35.12	58030-ER35.346	150	30 sec	58030-VS150.12	58030-VS150.346
4"	150	12 sec	58040-ER60.12	58040-ER60.346	150	30 sec	58040-VS150.12	58040-VS150.346
6"	-	-	-	-	150	30 sec	58060-VS150.12	58060-VS150.346
8"	-	-	-	-	150	30 sec	58080-VS300.12	58080-VS300.346
10"	-	-	-	-	150	30 sec	58100-VT600.12	58100-VT600.346
12"	-	-	-	-	150	30 sec	58120-VT600.12	58120-VT600.346
14"	-	-	-	-	150	30 sec	58140-VT600.12	58140-VT600.346
16"	-	-	-	-	85	30 sec	58160-VT1500.12	58160-VT1500.346
18"	-	-	-	-	75	30 sec	58180-VT1500.12	58180-VT1500.346
20"	-	-	-	-	75	30 sec	58200-VT1500.12	58200-VT1500.346
24"	-	-	-	-	75	30 sec	58240-VT2400.12	58240-VT2400.346

Type 58 Elastomer Seated Butterfly Valves



Electric Actuation

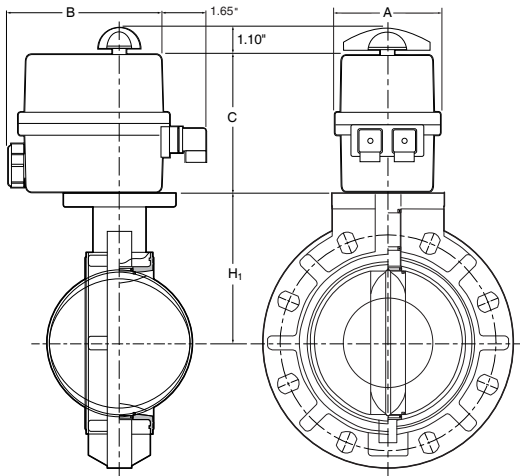
Refer to actuator data page for detailed information



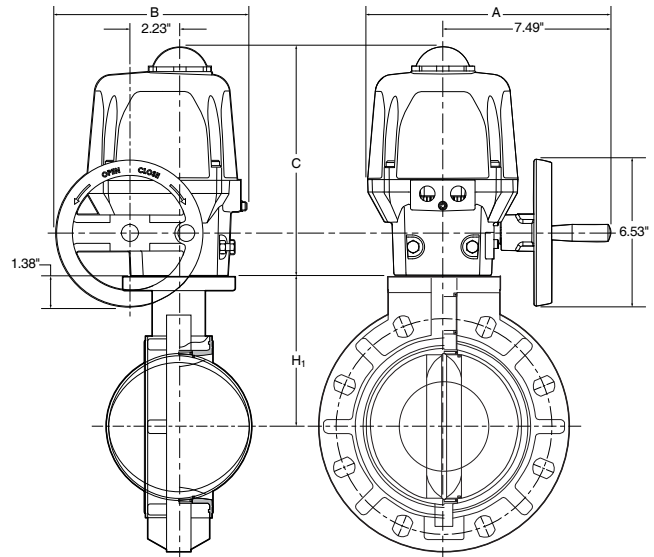
ER Series



VS Series



ER Series

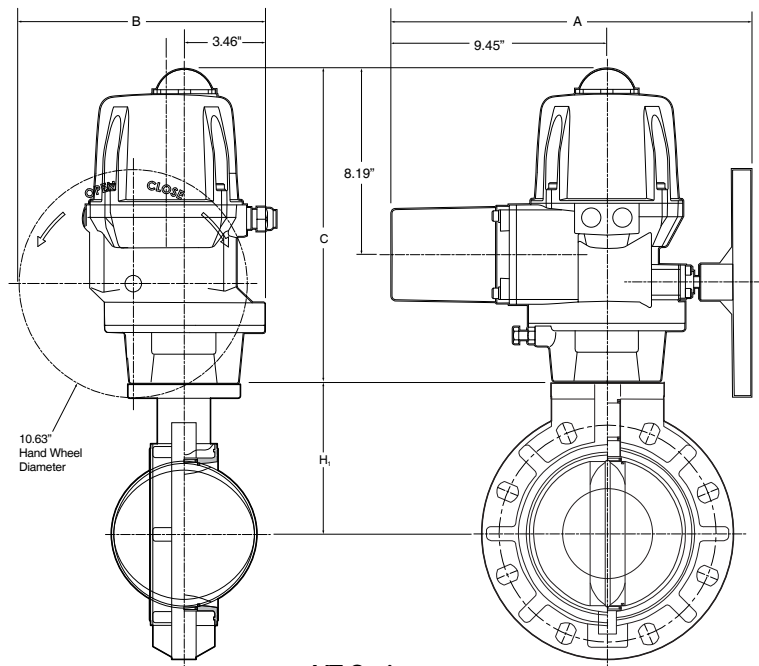


VS Series

DIMENSIONS INCHES

Size	Actuator	A	B	C	H ₁
1-1/2"	ER20	3.62	5.34	4.88	3.8
2"	ER20	3.62	5.34	4.88	3.8
2-1/2"	ER20	3.62	5.34	4.88	4.3
3"	ER35	5.04	5.94	5.98	4.5
4"	ER60	5.04	5.94	5.98	5.4
6"	VS150 ¹	7.49	6.85	10.16	6.9
8"	VS300	7.49	6.85	10.16	8.4
10"	VT600	18.98	11.81	14.57	9.6
12"	VT600	18.98	11.81	14.57	12.0
14"	VT600	18.98	11.81	14.57	11.8
16"	VT1500	22.52	15.31	18.38	13.4
18"	VT1500	22.52	15.31	18.38	15.4
20"	VT1500	22.52	15.31	18.38	16.6
24"	VT2400	22.52	15.31	18.38	19.2

¹VS150 is available on 1-1/2" to 4" valves



VT Series

Type 58 Elastomer Seated Butterfly Valves



Pneumatic Actuation

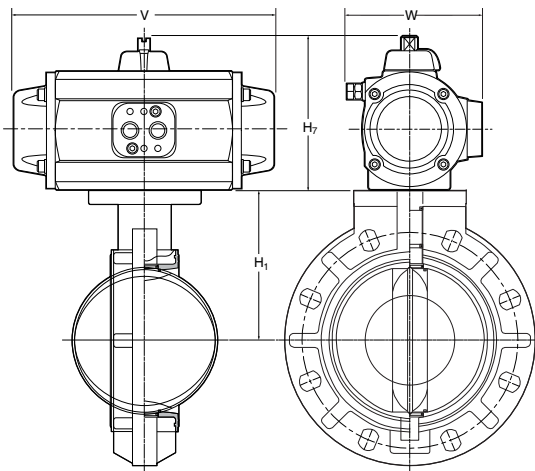
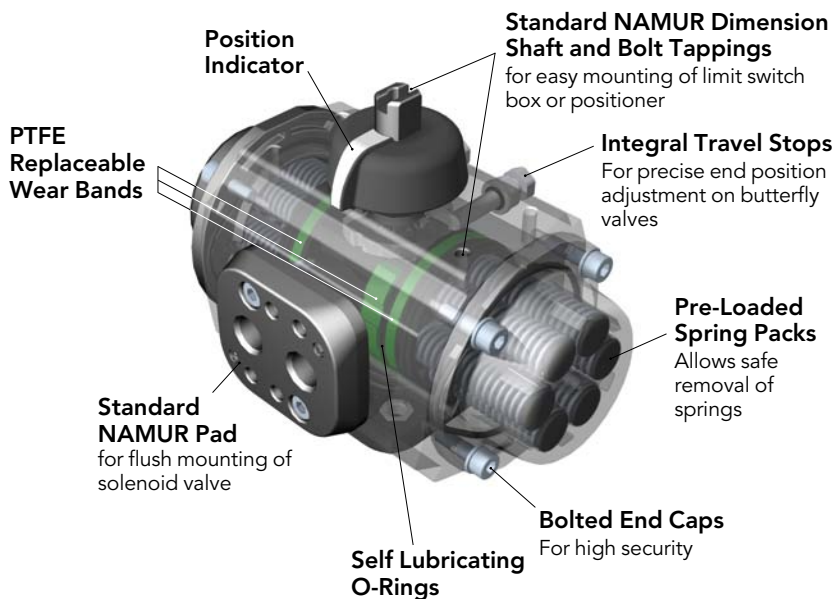
Refer to actuator data page for detailed information.

All pneumatic actuators have these STANDARD FEATURES:

- Aluminum rack and pinion type
- Coating is two-part epoxy/Rilsan polyamide, applied inside and out. Epoxy offers high chemical resistance and Rilsan offers coating durability.
- Rated for over one million cycles
- ISO standard valve mounting dimensions allow for direct mounting of most valves
- Mechanical travel stops are standard. They allow up to 5 degrees of piston travel adjustment
- Standardized accessories (solenoid valves, limit switch boxes, positioners) may be direct mounted



PA Series



DIMENSIONS INCHES

Size	H ₁	Spring Return				Double Acting			
		Actuator ¹	H ₇	V	W	Actuator ¹	H ₇	V	W
1-1/2"	3.8	PAS00	4.38	6.00	3.31	PAD00	4.38	6.00	3.31
2"	3.8	PAS05	5.05	7.91	4.00	PAD00	4.38	6.00	3.31
2-1/2"	4.3	PAS05	5.05	7.91	4.00	PAD00	4.38	6.00	3.31
3"	4.5	PAS10	2.21	8.83	4.08	PAD05	5.05	7.91	4.00
4"	5.4	PAS15	5.82	10.40	4.70	PAD05	5.05	7.91	4.00
6"	6.9	PAS25	7.26	14.02	6.04	PAD20	6.15	12.19	5.02
8"	8.4	PAS40	10.71	23.54	8.90	PAD25	7.26	14.02	6.04
10"	9.6	PAS40	10.71	23.54	8.90	PAD30	8.31	16.83	6.97
12"	12.0	PAS50	12.16	27.32	10.57	PADA40	10.71	17.48	8.90
14"	11.8	PAS50	12.16	27.32	10.57	PADA40	10.71	17.48	8.90
16"	13.4	PAS70	16.85	29.23	15.85	PAD60	14.49	26.40	13.01
18"	15.4	PAS60	14.49	26.40	13.01	PAD70	16.85	29.23	15.85
20"	16.6	PAS70	16.85	29.23	15.85	PAD70	16.85	29.23	15.85
24"	19.2	PAS70 ²	-	-	-	PAD70	16.85	29.23	15.85

¹Actuator sizes are based on normal 80 psi available air supply

²PA70 on 24" valve requires 100 psi available air supply

Type 58 Elastomer Seated Butterfly Valves



Pneumatic Actuation

Refer to actuator data page for detailed information

Pneumatic Actuation Item Numbers

Item numbers are for actuators including mounting to valve and bench testing. Actuators are sized for "normal" service. For gas, vapour or severe chemical service, consult Chemline.



PA Series

Double Acting

Valve Size	Max. Line Pressure (psi)	Air Supply Pressure (psi)		
		60	80	100
		Item No.	Item No.	Item No.
1-1/2"	150	58015-PAD05	58015-PAD00	58015-PADW
2"	150	58020-PAD05	58020-PAD05	58020-PAD05
2-1/2"	150	58025-PAD05	58025-PAD05	58025-PAD05
3"	150	58030-PAD15	58030-PAD10	58030-PAD05
4"	150	58040-PAD15	58040-PAD10	58040-PAD05
6"	150	58060-PAD25	58060-PAD20	58060-PAD15
8"	150	58080-PAD30	58080-PAD25	58080-PAD25
10"	150	58100-PAD30	58100-PAD25	58100-PAD25
12"	100	58120-PADA40	58120-PAD30	58120-PAD30
14"	100	58140-PAD50	58140-PADA40	58140-PADA40
16"	110	58160-PAD50	58160-PADA40	58160-PADA40
18"	110	58180-PAD50	58180-PAD50	58180-PADA40
20"	110	58200-PAD60	58200-PAD60	58200-PAD50
24"	110	58240-PAD70	58240-PAD70	58240-PAD60

Spring Return

Actuators listed are for elastomer seated Type 61 butterfly valves in the fail closed position. For fail open, consult Chemline.

Valve Size	Max. Line Pressure (psi)	Air Supply Pressure (psi)		
		60	80	100
		Item No.	Item No.	Item No.
1-1/2"	150	58015-PAS15	58015-PAS05	58015-PAS05
2"	150	58020-PAS20	58020-PAS10	58020-PAS10
2-1/2"	150	58025-PAS20	58025-PAS15	58025-PAS10
3"	150	58030-PAS25	58030-PAS20	58030-PAS15
4"	150	58040-PAS25	58040-PAS20	58040-PAS15
6"	150	58060-PAS30	58060-PAS30	58060-PAS25
8"	150	58080-PASR40	58080-PASR40	58080-PAS30
10"	150	58100-PASR40	58100-PASR40	58100-PAS30
12"	100	58120-PAS50	58120-PASR40	58120-PASR40
14"	100	58140-PAS60	58140-PAS60	58140-PAS50
16"	110	58160-PAS70	58160-PAS60	58160-PAS50
18"	110	58180-PAS70	58180-PAS60	58180-PAS60
20"	110	-	-	58200-PAS70
24"	110	-	-	-

Accessories



Solenoid Valves

- Solenoid valves are electrically actuated. They control air supply in and out of the actuators to open or close the valve. They bolt flush onto the actuator.



Positioners

- Positioners control actuator-valve position responding to a control signal. They are either 3-15 psi pneumatic, 4-20 mA electro-pneumatic or 4-20 mA Smart (fully digital with intelligent functions).



Limit Switches

- Limit switches are for ON and/or OFF valve position feedback. They feature a valve position indicator dome with high visibility. The standard NEMA 4X/IP65 version has mechanical switches. Explosion proof versions are available.



End Cap Travel Stops

- These are to adjust the full length of piston travel but for only one direction of travel - either open for a normally closed valve or closed position for a normally open valve



Travel Stop Plate

- This is required to reduce end of travel by more than 5 degrees. It allows independent adjustment of the full length of piston travel for both opening and closing strokes.



Declutchable Gear Override

- This allows manual operation of the actuated valve in case the supply air pressure fails. It is normally disengaged. To engage, press the lever bar down.