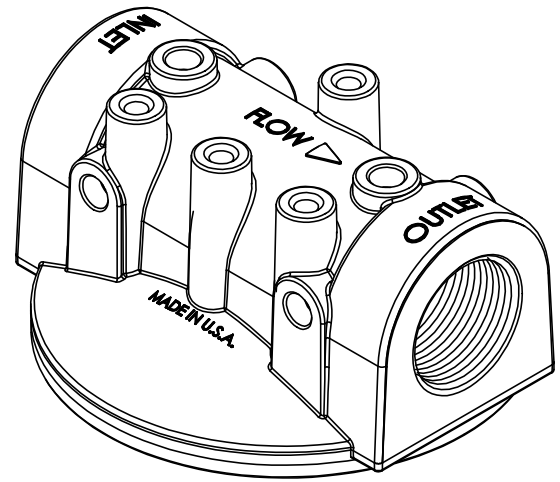
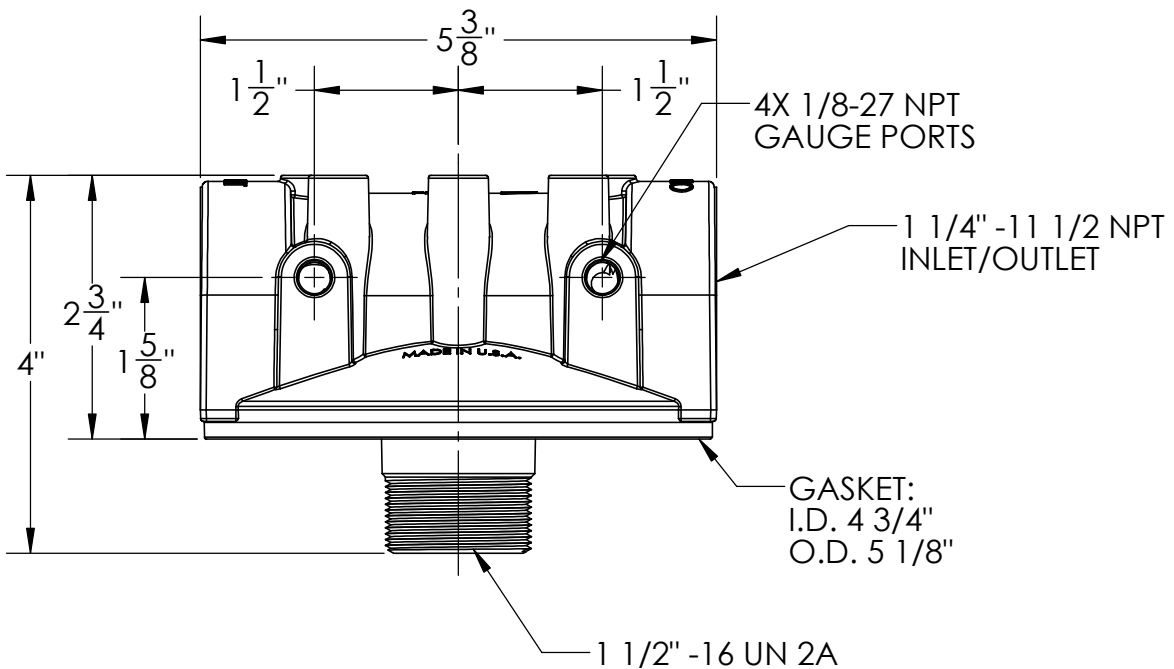
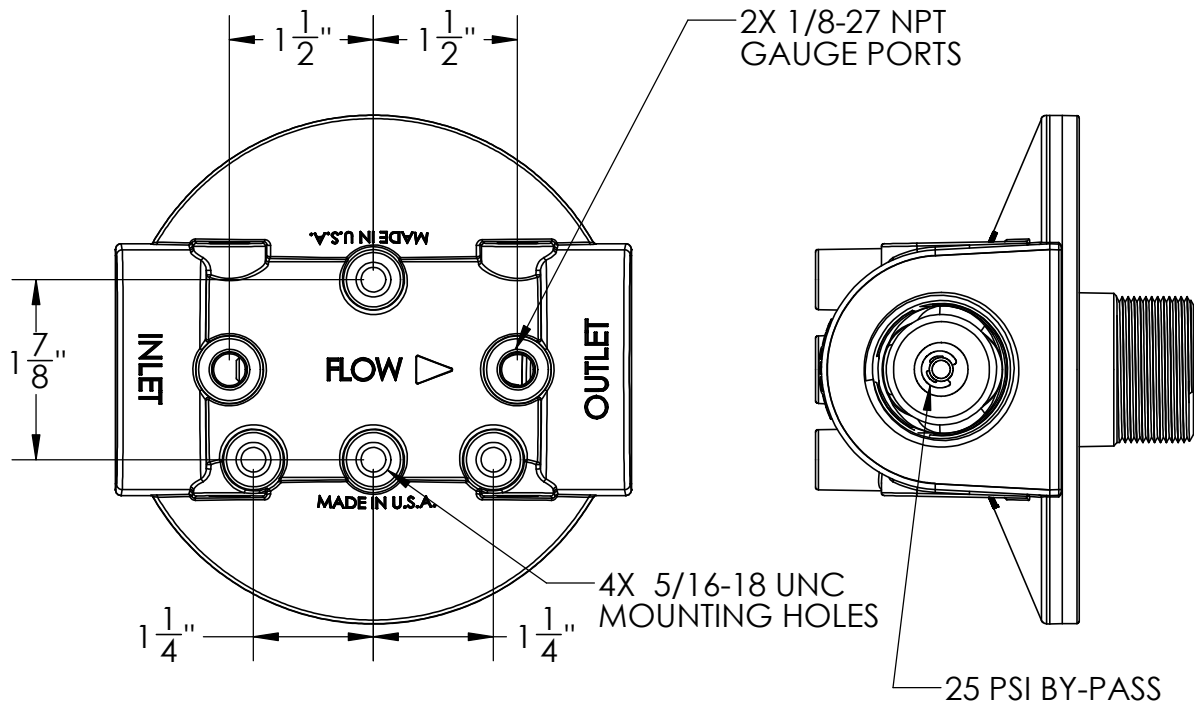


REVISIONS			
LTR.	DESCRIPTION	DATE	APP'D



DIMENSIONS ARE IN INCHES
UNLESS OTHERWISE SPECIFIED:
TOLERANCES



DO NOT SCALE DRAWING

DRAWN	EJB	11/18/22
CHECKED		



DESCRIPTION
ALUMINUM ADAPTOR
1-1/4 NPT, GP, 25# BP

SIZE A	DWG. NO. 50143	REV D
CUSTOMER WEIGHT:		SHEET 1 OF 1

NOTICE -THIS DRAWING CONTAINS PROPRIETARY INFORMATION OF CIMCO/CIM-TEK. REPRODUCTIONS, USE, OR DISCLOSURE OF INFORMATION ON THIS DRAWING WITHOUT WRITTEN AUTHORIZATION FROM CIM-TEK IS PROHIBITED