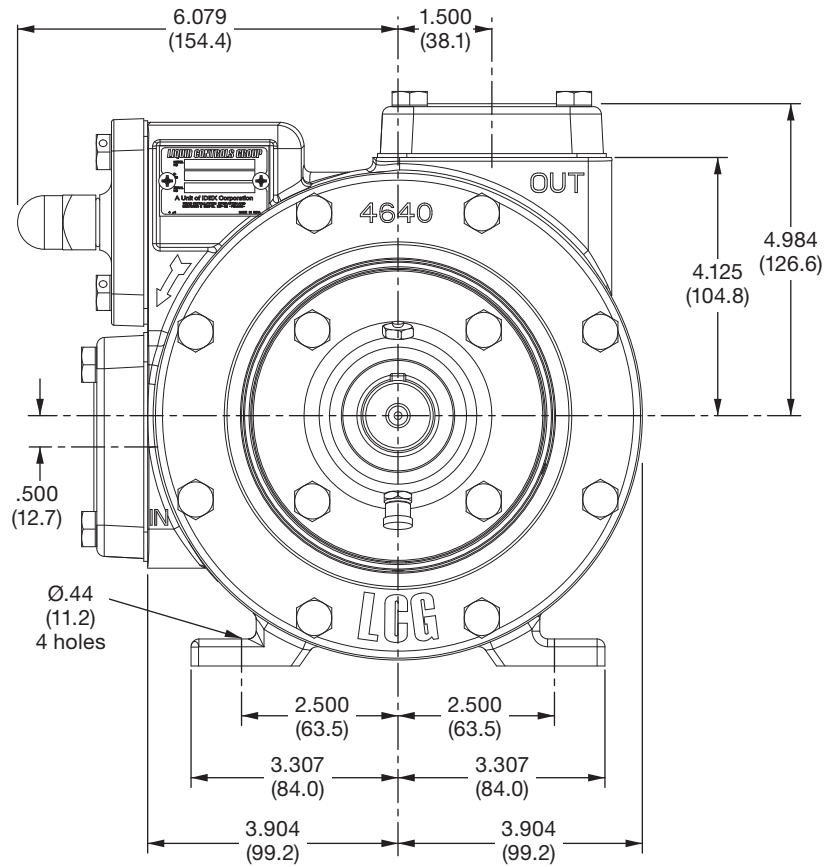
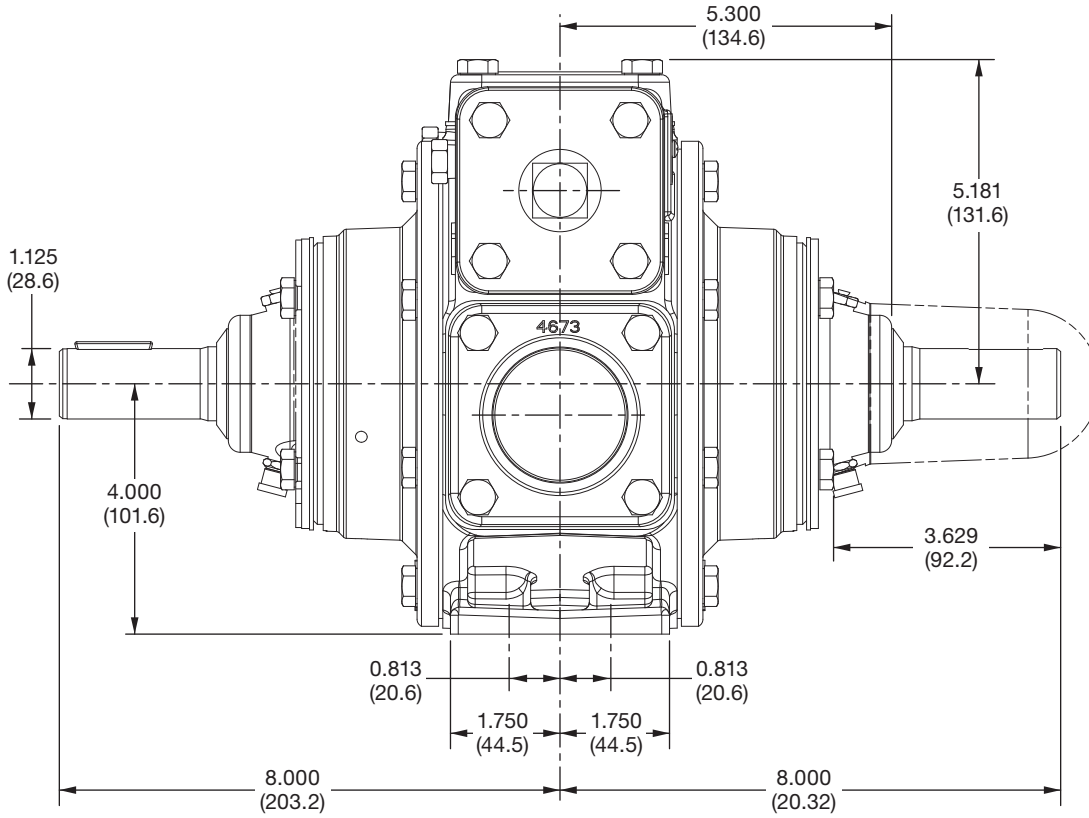
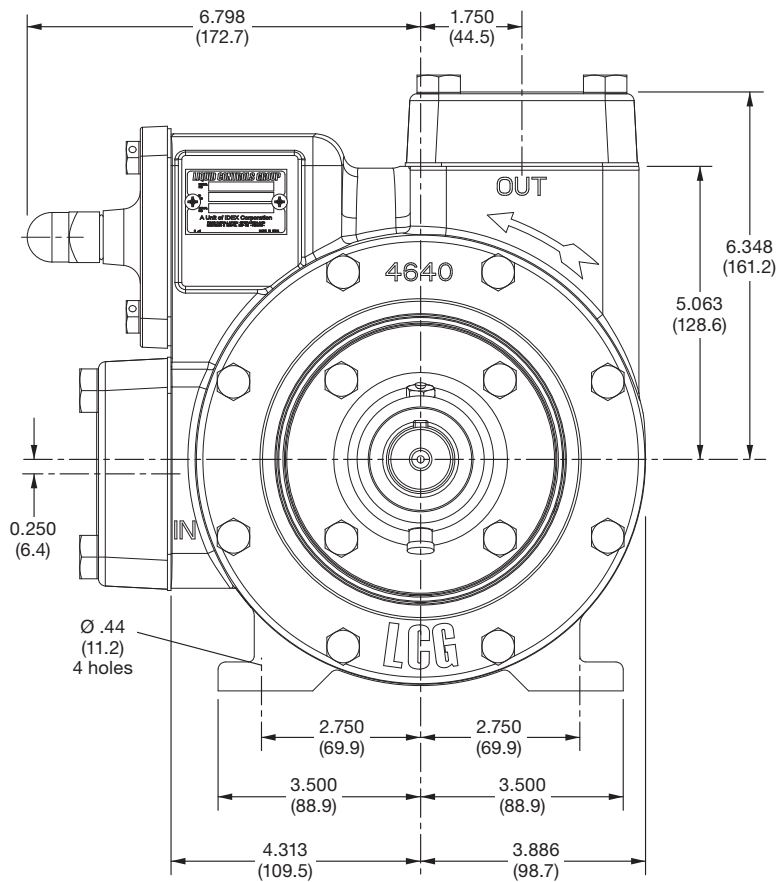
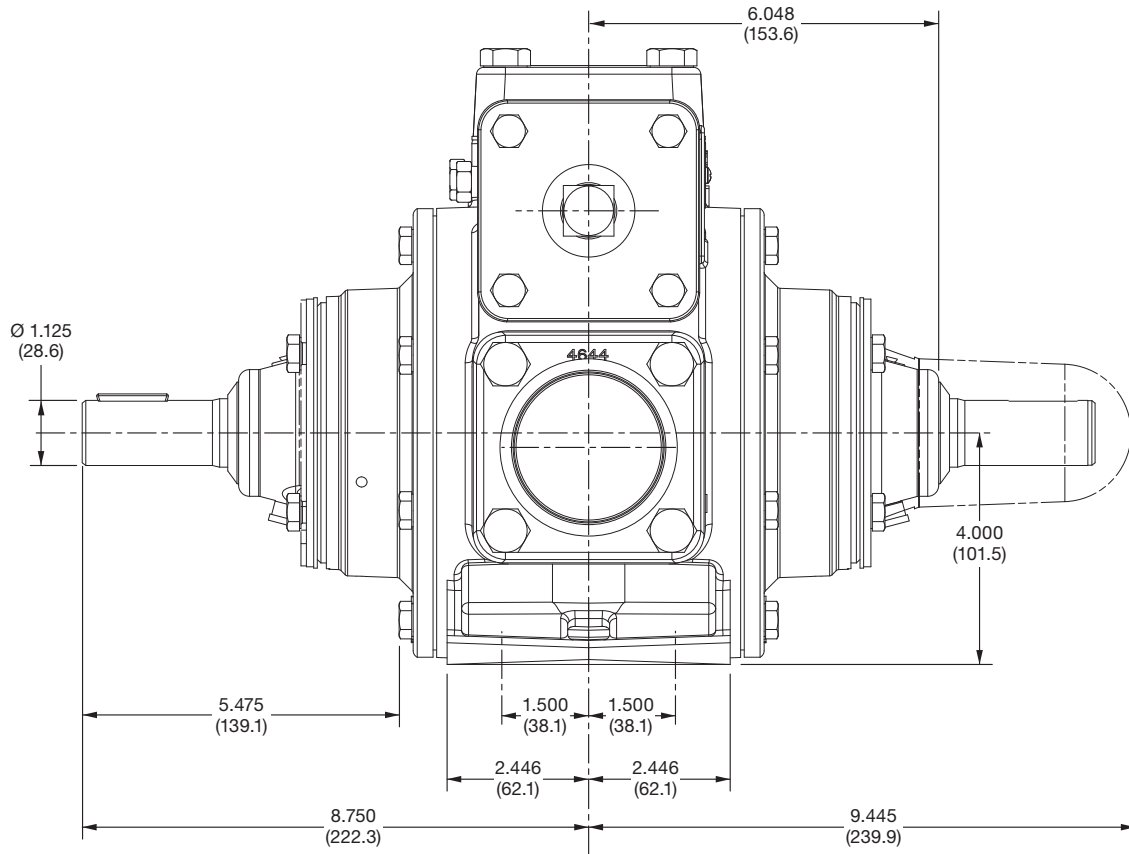


Appendix D—Outline Dimensions for the PT20



All dimensions are in inches (millimeters).

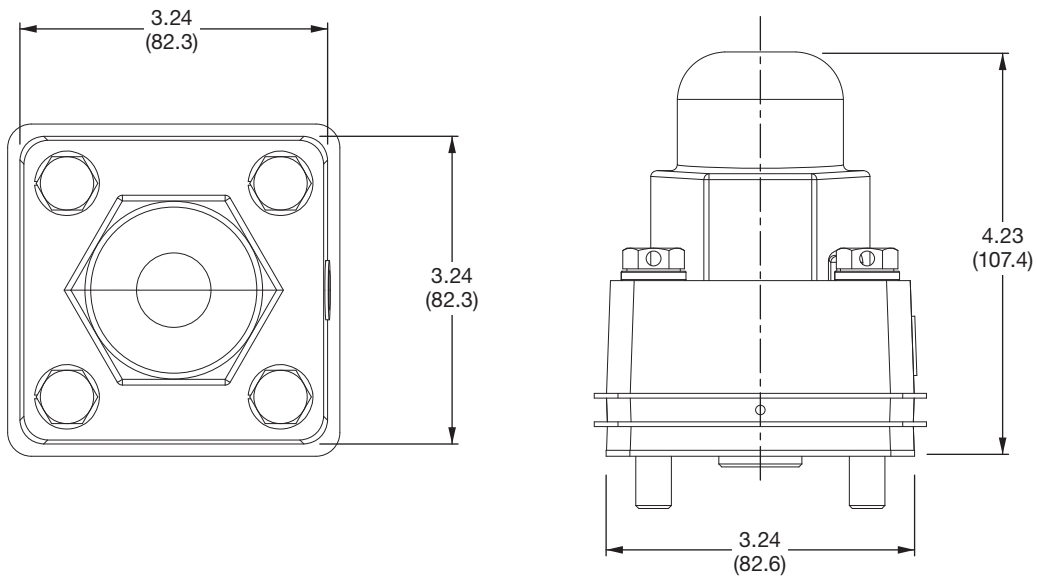
Appendix D—Outline Dimensions for the PT25



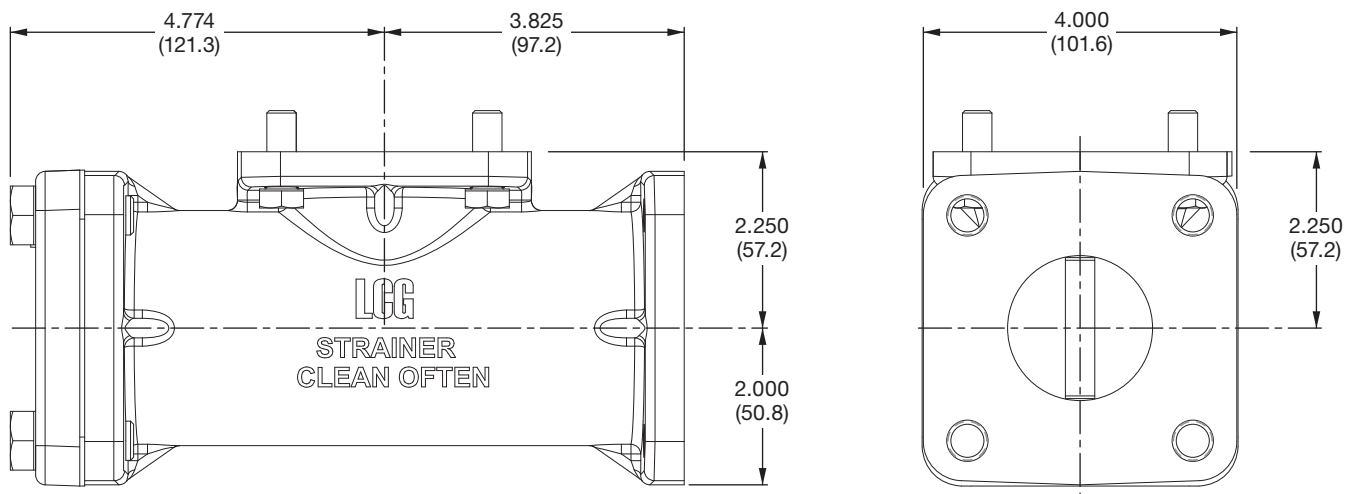
All dimensions are in inches (millimeters).

Appendix D—Outline Dimensions for Air Operated Valve and Strainer

5470-1XA Air Operated Valve (AOV) Assembly for PT/PTH20 Pumps



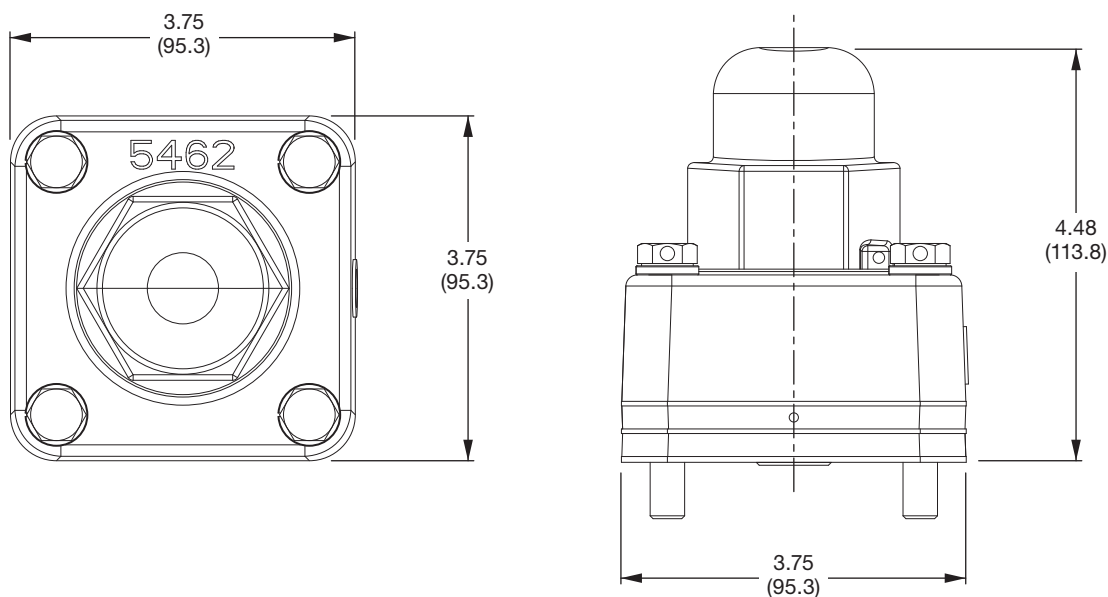
4684-X Strainer Assembly for the PT/PTH20 Pumps



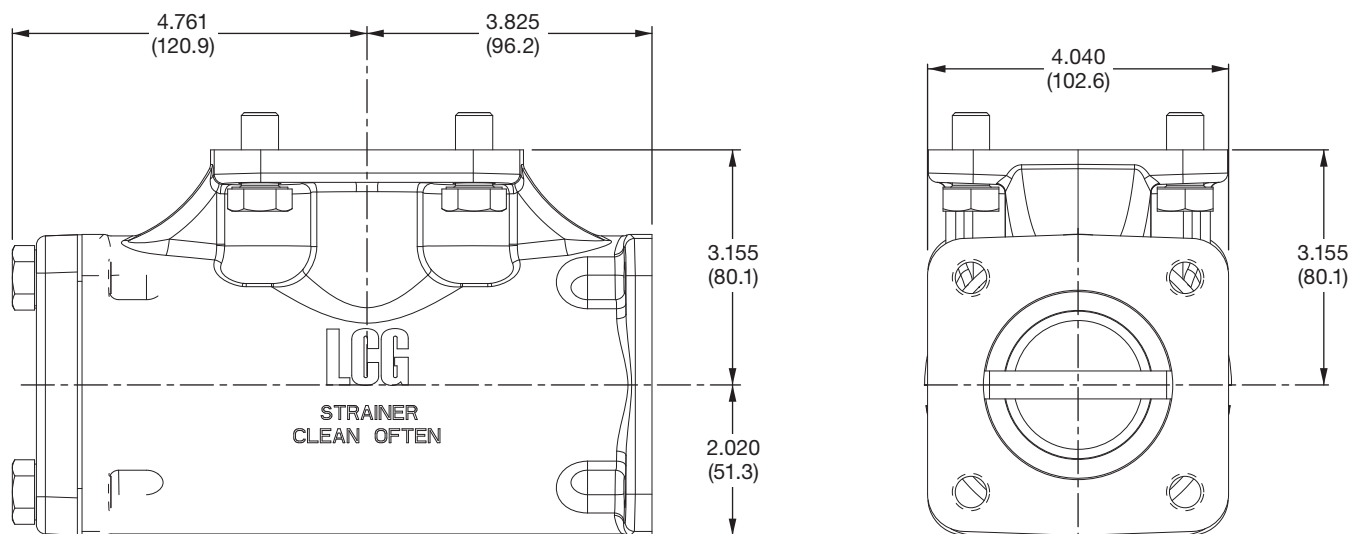
All dimensions are in inches (millimeters).

Appendix D—Outline Dimensions for Air Operated Valve and Strainer

5462-1XA Air Operated Valve (AOV) Assembly for PT/PTH25 Pumps



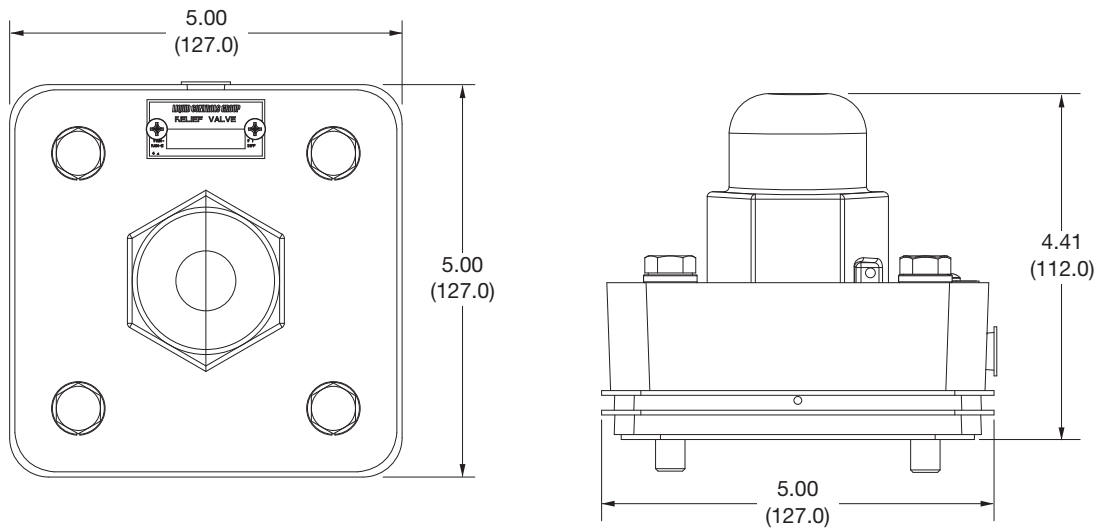
4689-X Strainer Assembly for the PT/PTH25 Pumps



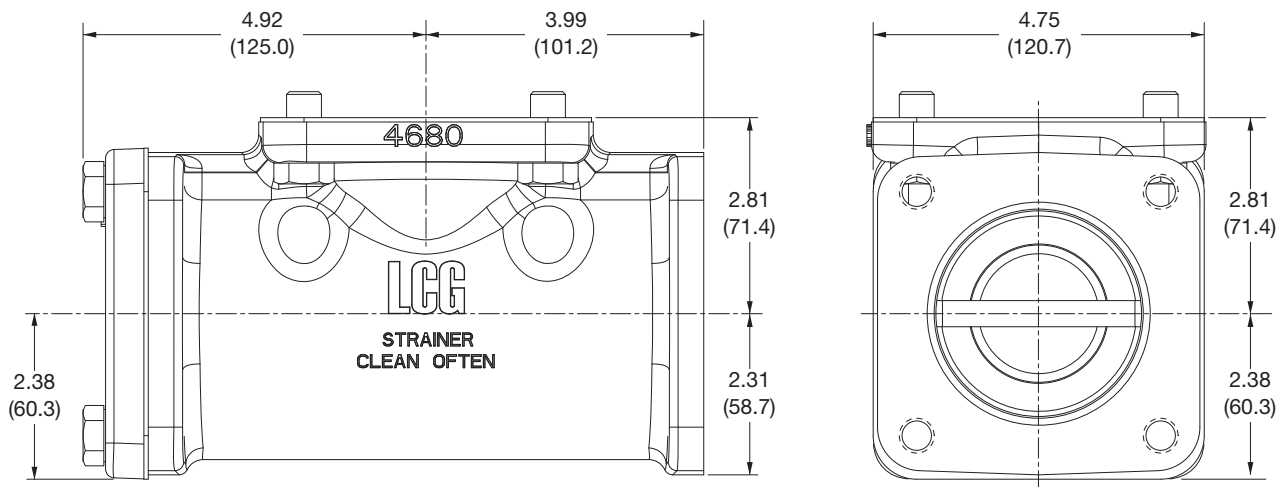
All dimensions are in inches (millimeters).

Appendix D—Outline Dimensions for Air Operated Valve and Strainer

5566-XA Air Operated Valve (AOV) Assembly for PT/PTH30 Pumps



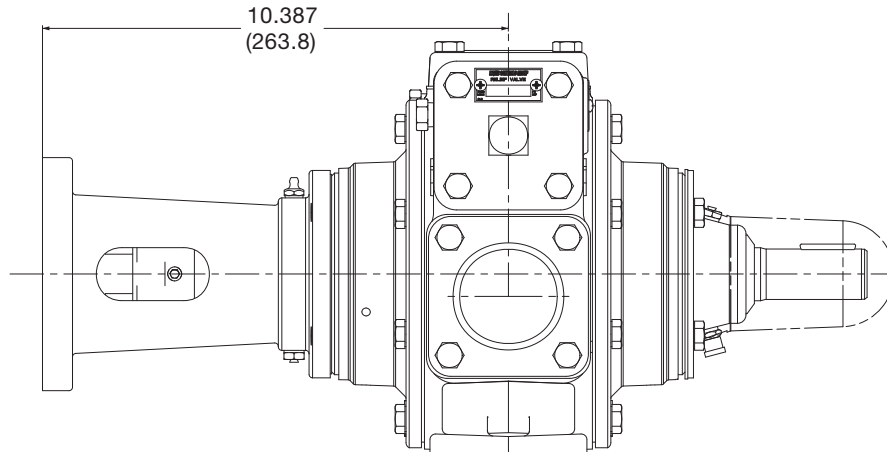
4680-X Strainer Assembly for the PT/PTH30 Pumps



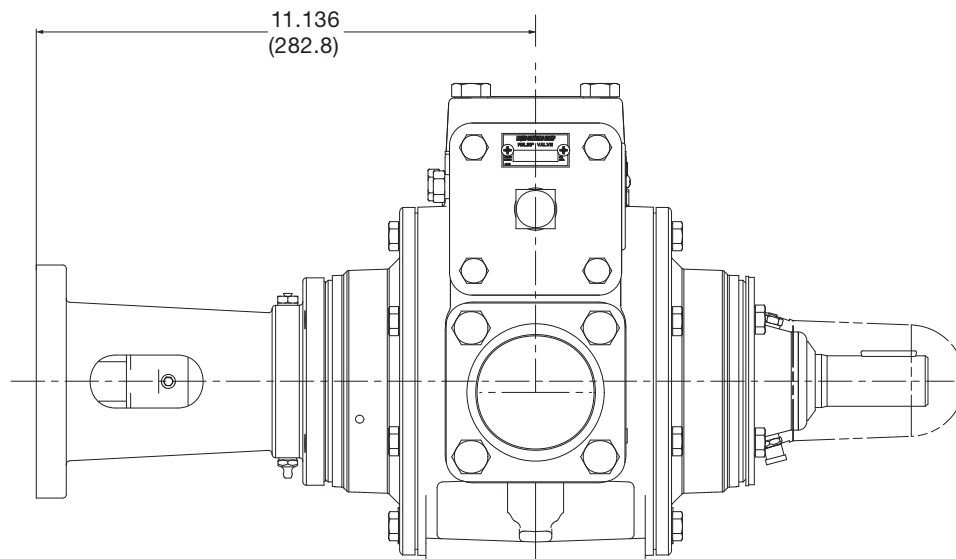
All dimensions are in inches (millimeters).

Appendix D—Outline Dimensions for Hydraulic Drive Option

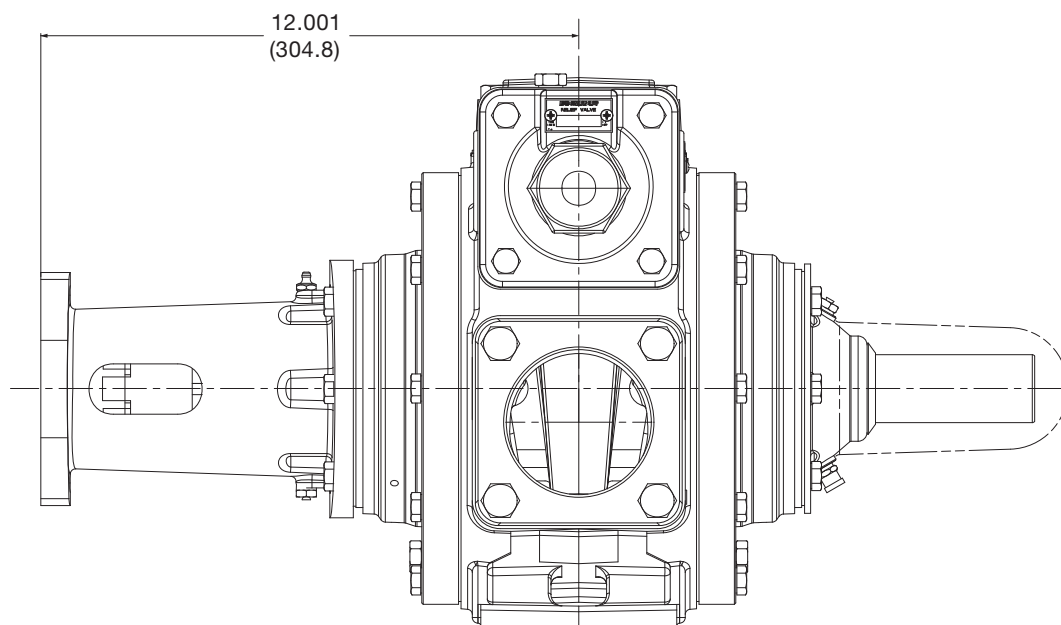
PTH20 Pump



PTH25 Pump



PTH30 Pump



All dimensions are in inches (millimeters).