

**Stainless steel sanitary gas filter housing.**

Donaldson® PG-EG sanitary gas filter housings are designed for purification of compressed air and technical gases in the pharmaceutical, biotechnology, chemical, electronic, and food and beverage industries.

PG-EG filter housings have:

- MTRs available upon request
- A broad selection of elements for many applications
- 3A certification on models 0006-0192
- Gas capacity ranging from 36 to 12,672 cfm at 100 psig
- Steam capacity ranging from 100 to 17,100 lbs/hr at 50 psig
- Design specifications that are customizable upon request

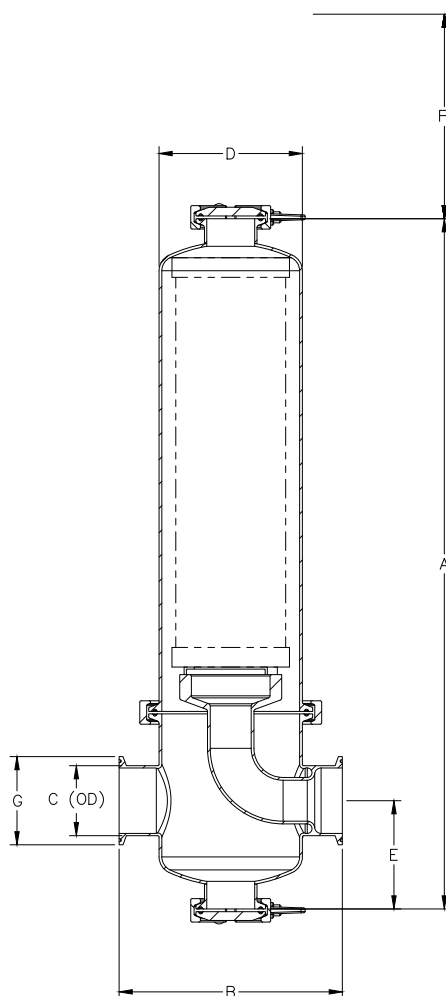


**PG-EG**

**SPECIFICATIONS**

Model	Housing Material	Gasket	Pressure and Temp	I/O Connection	Int. Surface Finish	Vent/Drain Connection	BPE Compliant	Element	Part Number		
0006	316L	EPDM	232 psig @ 392°F	1/2" Tri-Clamp	RA 15, BPE SF 4	1/2" Tri-Clamp, Blind cap provided	Yes	UF, 03/10, Qty 1	AG1252657		
0018				3/4" Tri-Clamp		UF, 05/20, Qty 1		AG1252658			
0032				1" Tri-Clamp		Code 7, 05/30, Qty 1		AG1252659			
0072				2" Tri-Clamp		Code 7, 10/30, Qty 1		AG1252660			
0144				2 1/2" Tri-Clamp		Code 7, 20/30, Qty 1		AG1252661			
0192				3" Tri-Clamp		Code 7, 30/30, Qty 1		AG1252662			
0432			150 psig @ 450°F	EPDM	150 psig @ 450°F	4" ANSI Flange	RA 32	1 1/2" Tri-Clamp, Blind cap provided	No	Code 7, 20/30, Qty 3	AG1083101
0576						6" ANSI Flange				Code 7, 30/30, Qty 3	AG1083201
0768						8" ANSI Flange				Code 7, 30/30, Qty 4	AG1083301
1152						Code 7, 30/30, Qty 6				AG1083401	
1536						Code 7, 30/30, Qty 8				AG1083501	
1920						Code 7, 30/30, Qty 10				AG1083601	

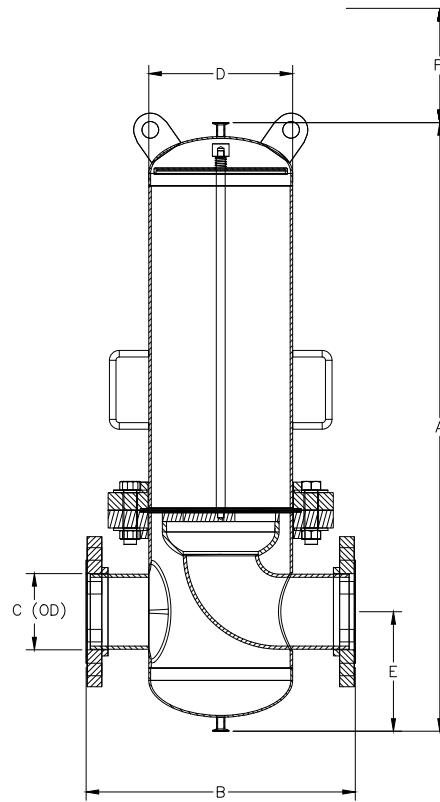
## DIMENSIONS



with Tri-Clamp connection  
3-A certified

Part Number	Model	Volume (gal)	Weight* (lbs)	Gas Capacity (scfm)	Steam Capacity (lbs/hr)	Dimensions (inches)							Element Connection, Size & Qty
						A	B	øC	øD	E	F	øG	
AG1252657	0006	0.16	3.5	36	100	8.95	4.72	0.50	2.76	2.53	5.05	.98	UF, 03/10, Qty 1
AG1252658	0018	0.21	4.0	108	160	11.11	4.72	0.75	2.76	2.53	7.21	.98	UF, 05/20, Qty 1
AG1252659	0032	0.50	8.5	216	400	14.49	6.38	1.00	4.10	3.13	9.21	1.98	Code 7, 05/30, Qty 1
AG1252660	0072	0.90	10.0	432	800	19.72	6.38	2.00	4.10	3.09	14.48	2.52	Code 7, 10/30, Qty 1
AG1252661	0144	1.43	13.0	864	1,800	30.44	8.11	2.50	4.10	3.68	24.02	3.05	Code 7, 20/30, Qty 1
AG1252662	0192	1.95	17.0	1,296	2,500	40.28	8.11	3.00	4.10	3.72	33.82	3.58	Code 7, 30/30, Qty 1

\* Without filter element



with ANSI Flange connection  
ASME UM Code Stamped

Part Number	Model	Weight* (lbs)	Gas Capacity (scfm)	Steam Capacity (lbs/hr)	Dimensions (inches)						Element Connection, Size & Qty
					A	B	C**	D	E	F	
AG1083101	0432	140	2,880	4,500	36.49	16.14	4	8.62	7.17	23.25	Code 7, 20/30, Qty 3
AG1083201	0576	183	3,840	5,850	46.49	16.14	4	8.62	7.17	33.25	Code 7, 30/30, Qty 4
AG1083301	0768	220	4,992	9,200	51.41	18.90	6	10.75	8.15	34.50	Code 7, 30/30, Qty 4
AG1083401	1152	338	7,680	12,000	54.02	21.26	6	12.75	8.92	36.50	Code 7, 30/30, Qty 6
AG1083501	1536	628	9,984	14,900	61.03	25.98	8	16.0	15.02	35.50	Code 7, 30/30, Qty 8
AG1083601	1920	628	12,672	17,100	57.19	25.98	8	16.0	11.41	35.50	Code 7, 30/30, Qty 10

\* Without filter element  
\*\* ASME B16.5 Class 150

PG-EG and PF-EG single filter element housings meet 3-A Sanitary Standards



**Important Notice**

Many factors beyond the control of Donaldson can affect the use and performance of Donaldson products in a particular application, including the conditions under which the product is used. Since these factors are uniquely within the user's knowledge and control, it is essential the user evaluate the products to determine whether the product is fit for the particular purpose and suitable for the user's application. All products, specifications, availability and data are subject to change without notice, and may vary by region or country.



**Donaldson Company, Inc.**  
Minneapolis, MN

[donaldson.com](http://donaldson.com)  
[shop.donaldson.com](http://shop.donaldson.com)

**Australasia** 61-02-4350-2066  
[marketing.australia@donaldson.com](mailto:marketing.australia@donaldson.com)

**Brazil** 55-11-4894-6035  
[vendas.brasil@donaldson.com](mailto:vendas.brasil@donaldson.com)

**China** 86-400-921-7032  
[info.cn@donaldson.com](mailto:info.cn@donaldson.com)

**EMEA** 49-2129-569-0  
[cap-europe@donaldson.com](mailto:cap-europe@donaldson.com)

**India** 91-124-4807-400  
[indianquiries@donaldson.com](mailto:indianquiries@donaldson.com)

**Japan** 81-42-540-4123  
[ndl-ultrafilter-web@donaldson.com](mailto:ndl-ultrafilter-web@donaldson.com)

**Korea** 82-2-517-3333  
[cap-kr@donaldson.com](mailto:cap-kr@donaldson.com)

**Latin America** 52-449-300-2442  
[industrialair@donaldson.com](mailto:industrialair@donaldson.com)

**North America** 800-543-3634  
[processfilters@donaldson.com](mailto:processfilters@donaldson.com)

**South Africa** 27-11-997-6000  
[samarketing@donaldson.com](mailto:samarketing@donaldson.com)

**Southeast Asia** 65-6311-7373  
[sea.salesenquiry@donaldson.com](mailto:sea.salesenquiry@donaldson.com)

**F117001 ENG (01/20) PG-EG Sanitary Filter Housings**

© 2009 Donaldson Co., Inc. All Rights Reserved. Donaldson and the color blue are marks of Donaldson Company, Inc. All other marks belong to their respective owners. {Contains Donaldson proprietary technology.}