

PLT240

LINKTower™
PORTABLE LED LIGHT TOWER

GENERAC | **MOBILE**

SPECIFICATIONS

ELECTRICAL INLET / OUTLET

- 120V / 15A (NEMA 5-15R) Power Inlet
- 120V / 20A (NEMA L5-20P) Power Inlet
- 120V / 20A (NEMA 5-20R) GFCI Duplex Outlet

ELECTRICAL CONTROLS

- 15A / 20A power distribution switch
- 15A / 20A Main Breaker
- 5A Individual Light Switches

FLOODLIGHTS

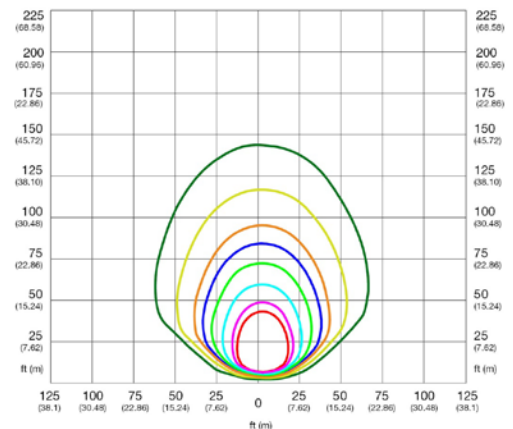
- Four (4) 235W LED fixtures
 - Efficiency: 130 lumens per watt
 - 30,528 lumens each
 - 122,112 total lumens
- Coverage: 14,497 ft² (1,031 m²) @ min. 0.5 ft-c
- IP68 LED Modules with 50,000 hour life expectancy
- Individually adjustable light fixtures
- Aluminum / Poly construction housing
- Cabinet mounted LED drivers
- 30VDC mast cord and fixture

MAST

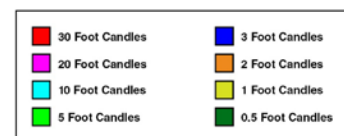
- Vertical mast; 16 ft. (4.9 m) 4-section with ground-adjustable fixtures
- Dual handle manual winch for ease of deployment
- Galvanized mast sections
- Self-retracting coiled mast cord
- Equipped with single lifting eye

CHASSIS

- 45 mph (72 kph) wind rating
- Steel frame with galvanized fork pockets
- (4) 1200 lb. (544 kg) leveling jacks
- Galvanized side outriggers lock in position for storage
- 3.5 x 8 in. (89 x 203 mm) all rubber tires
- 6 in. (152 mm) caster wheel with brake
- 24 in. (61 cm) track width



Area covered: 14,497 ft² (1,031 m²)
at minimum of 0.5 foot candles (ft-c)



WEIGHT & DIMENSIONS

- Operating weight: 558 lb. (252.6 kg)

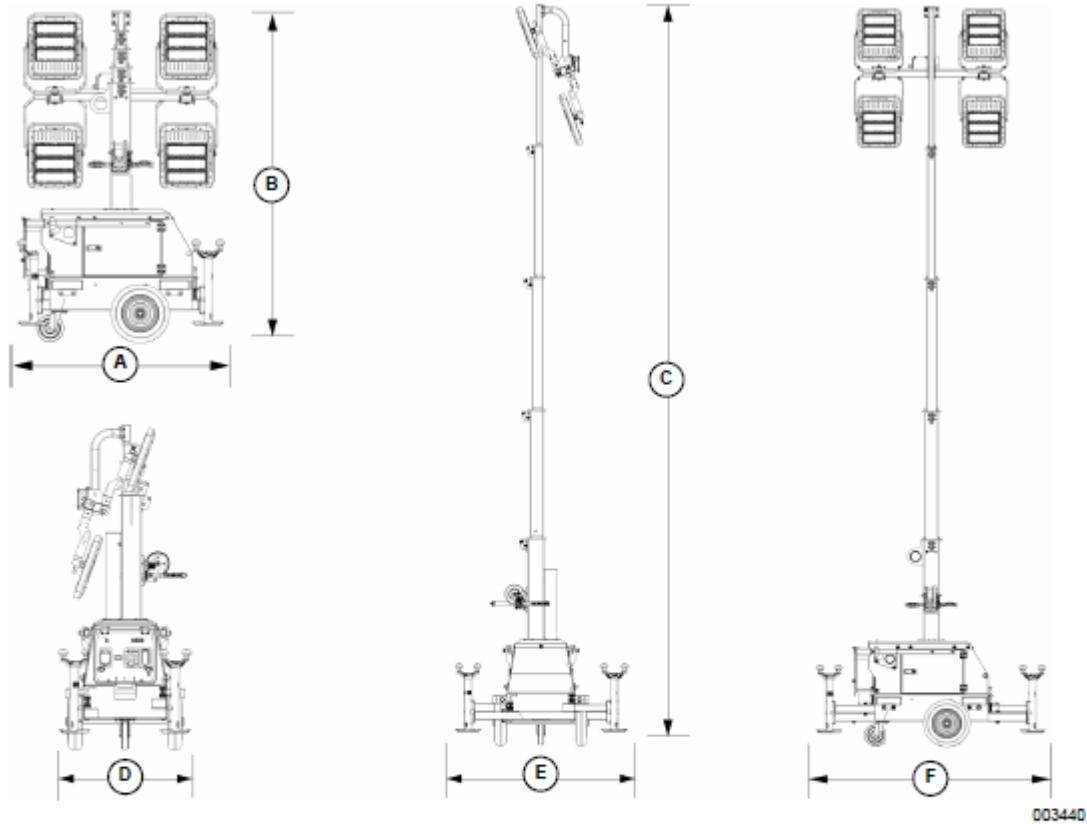


Figure 2-2. Unit Dimensions

	A	B	C	D	E	F
PLT240	48.5 in. (1.23 m)	77.5 in. (1.96 m)	16 ft. (4.88 m)	31.5 in. (0.80 m)	57 in. (1.45 m)	74 in. (1.88 m)

Specifications are subject to change without notice.

WARRANTY

2 Year / 2000 Hour on tower; 5 Year limited warranty on LED modules and drivers

CERTIFICATIONS

CSA Certified

For more information, consult the Owner’s Manual at <http://www.generacmobileproducts.com/resources-tools/manuals>