

Lead Free Brass Ball Valve

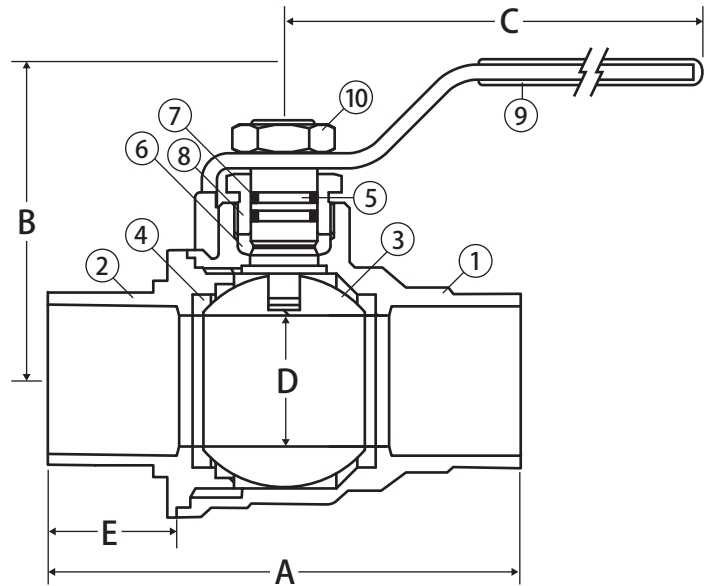


2 Piece • Full Port • Solder Connection • 600 WOG



S-100CG

CRN# 0C16887.5469870YTN



Features

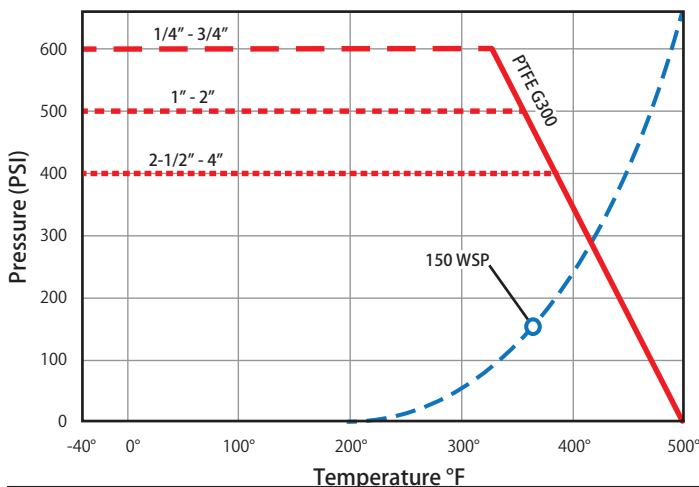
- Dezincification resistant brass alloy 1/2"-4" valves
- Triple sealing stem with 2 FKM o-rings and PTFE G300 seal
- Blow-out proof stem
- 100% leak tested
- 100% Made in Italy
- Leakproof stem - Lifetime Warranty
- 29 in-Hg vacuum rating
- Wetted surfaces contain less than .25% lead content

Approvals

- UL Listed (1/2" - 2")
 - VQGU - Trim & drain (US only)
- NSF 372
- NSF 61-8
- NSF 61 - Annex G
- ASME/ANSI B16.18
- MSS SP-110
- Meets ISO 6509

Valve Seat Rating

1/4" - 3/4" 600 WOG, 1" - 2" 500 WOG - 150 WSP, 2-1/2"-4" 400 WOG



Material Specifications

| No. | Part | Materials |
|-----|-----------------|------------------------------|
| 1 | Body | Lead Free Brass - CW511L |
| 2 | End Connection | Lead Free Brass - CW511L |
| 3 | Ball | T.E.A. Coated Brass - CW510L |
| 4 | Seat (2) | PTFE G300 |
| 5 | Stem | Lead Free Brass - CW510L |
| 6 | Packing | PTFE G300 |
| 7 | Stem O-ring (2) | FKM |
| 8 | Packing Gland | Brass - CW614N |
| 9 | Handle | Steel - Geomet® Plated |
| 10 | Handle Nut | Steel - Geomet® Plated |

Dimensions

| Part No. | Size | A | B | C | D | E | Cv |
|-----------|--------|-------|------|------|------|------|--------|
| 100-413G | 1/2" | 2.48 | 1.56 | 2.95 | 0.59 | 0.51 | 16.82 |
| 100-414G | 3/4" | 3.26 | 2.05 | 3.74 | 0.79 | 0.76 | 34.80 |
| 100-415G | 1" | 3.94 | 2.55 | 4.75 | 0.97 | 0.92 | 52.20 |
| 100-416G | 1-1/4" | 4.50 | 2.66 | 4.75 | 1.23 | 0.98 | 112.52 |
| 100-417G | 1-1/2" | 5.07 | 3.31 | 6.00 | 1.49 | 1.10 | 174.00 |
| 100-418G | 2" | 6.22 | 3.60 | 6.00 | 1.99 | 1.34 | 255.20 |
| 100-419G* | 2-1/2" | 7.28 | 4.74 | 8.00 | 2.46 | 1.45 | 350.32 |
| 100-420G* | 3" | 8.48 | 5.05 | 8.00 | 2.99 | 1.63 | 563.76 |
| 100-421G* | 4" | 10.08 | 5.90 | 9.84 | 4.00 | 2.20 | 879.28 |

WARNING: This product can expose you to chemicals including lead, which is known to the State of California to cause cancer, and lead, which is known to the State of California to cause birth defects or other reproductive harm. For more information go to www.P65Warnings.ca.gov.

