

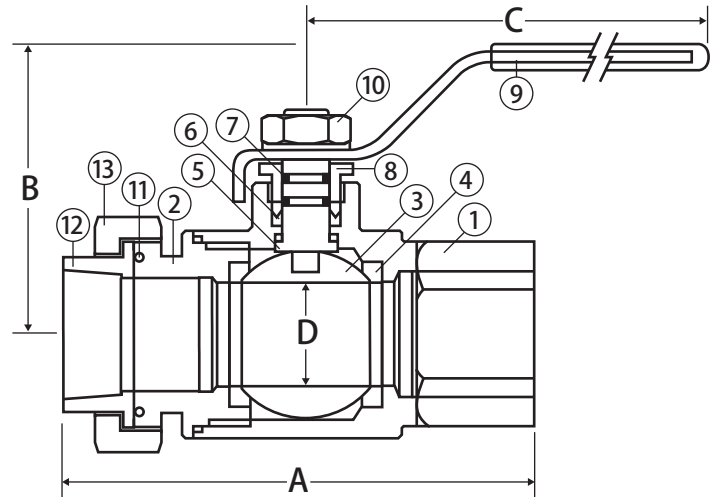
Lead Free Brass Ball Valve



2 Piece • Full Port • Single Union End • Threaded Connection • 500 WOG



T-100UEG



Features

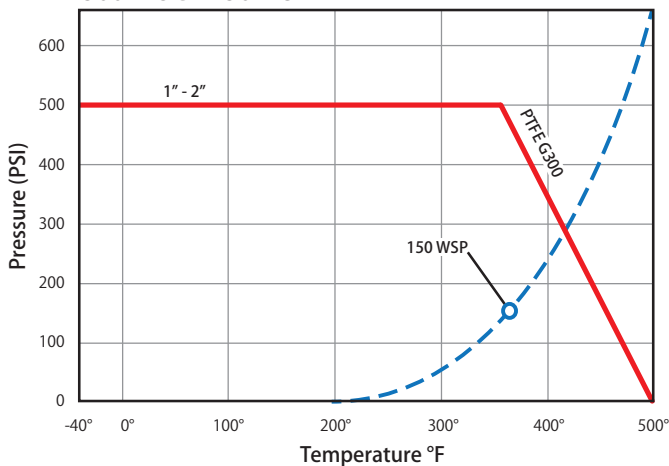
- Triple sealing stem with 2 FKM o-rings and PTFE G300 seal
- Blow-out proof stem
- FIP x union FIP
- 100% leak tested
- 100% Made in Italy
- Leakproof stem - Lifetime Warranty
- 29 in-Hg vacuum rating
- Wetted surfaces contain less than .25% lead content
- Accessories available

Approvals

- NSF 372
- NSF 61-8
- MSS SP-110
- ANSI B1.20.1
- Meets ISO 6509

Valve Seat Rating

1" - 2" 500 WOG - 150 WSP



Material Specifications

No.	Part	Materials
1	Body	Lead Free Brass - CW511L
2	End Connection	Lead Free Brass - CW511L
3	Ball	T.E.A. Coated Brass - CW510L
4	Seat (2)	PTFE G300
5	Stem	Lead Free Brass - CW510L
6	Packing	PTFE G300
7	Stem O-ring (2)	FKM
8	Packing Gland	Brass - CW614N
9	Handle	Steel - Geomet® Plated
10	Handle Nut	Steel - Geomet® Plated
11	Union O-ring	FKM
12	Tail Piece	Lead Free Brass - CW511L
13	Union Nut	Lead Free Brass - CW511L

Dimensions

Part No.	Size	A	B	C	D	Cv
160-106G	1-1/4"	4.86	2.59	4.75	1.23	112.52
160-107G	1-1/2"	5.38	3.22	6.00	1.49	174.00
160-108G	2"	6.11	3.50	6.00	1.99	255.20

WARNING: This product can expose you to chemicals including lead, which is known to the State of California to cause cancer, and lead, which is known to the State of California to cause birth defects or other reproductive harm. For more information go to www.P65Warnings.ca.gov.

