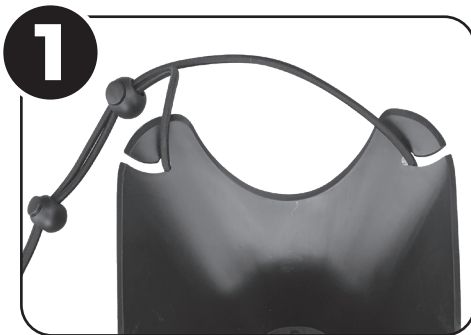
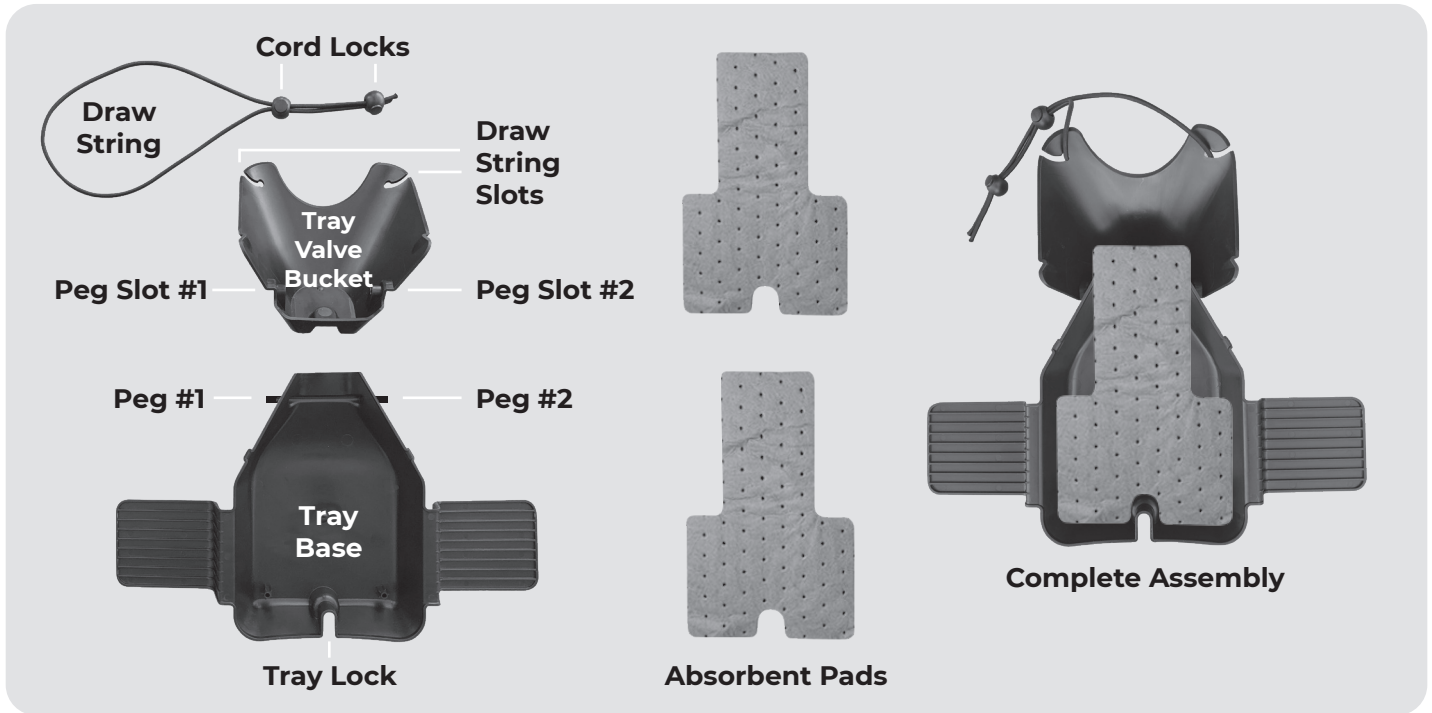


# ASSEMBLY INSTRUCTIONS

## Spill Containment for IBC Totes



### Step 1

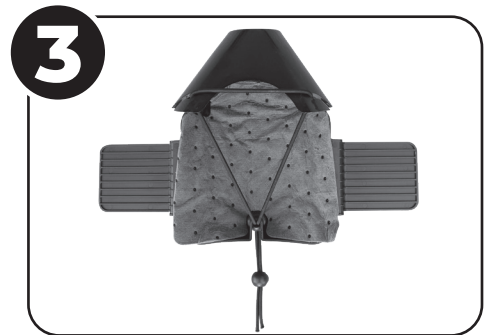
Insert Draw String into Tray Valve Bucket Draw String Slots.



### Step 2

Insert Peg #1 into Peg Slot #1. Pull the Tray Valve Bucket apart where the Peg Slot #2 extends past Peg #2 and insert.

NOTE: Do not snap Pegs into Peg Slots as this process may damage the Pegs.



### Step 3

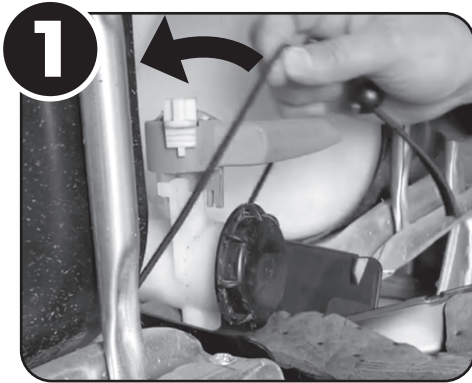
Insert Absorbent Pad into Tray Base.

Pull Draw String and secure Cord Lock to Tray Lock for storage, or continue to Tray Installation.



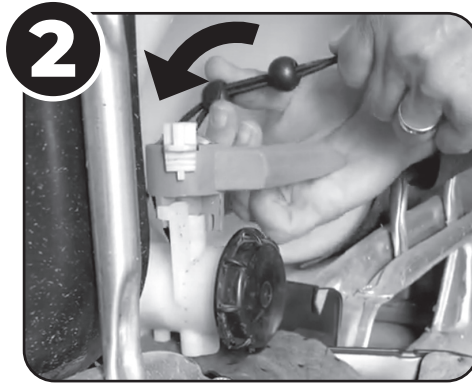
# INSTALLATION INSTRUCTIONS

## Spill Containment for IBC Totes



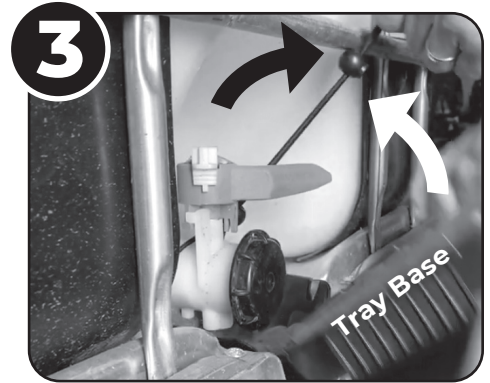
### Step 1

Insert Tray Valve Bucket under IBC Valve and pull Draw String over IBC Valve.



### Step 2

Press IBC Valve Cord Lock button in and slide down behind the IBC Valve leaving a 1" to 2" gap.



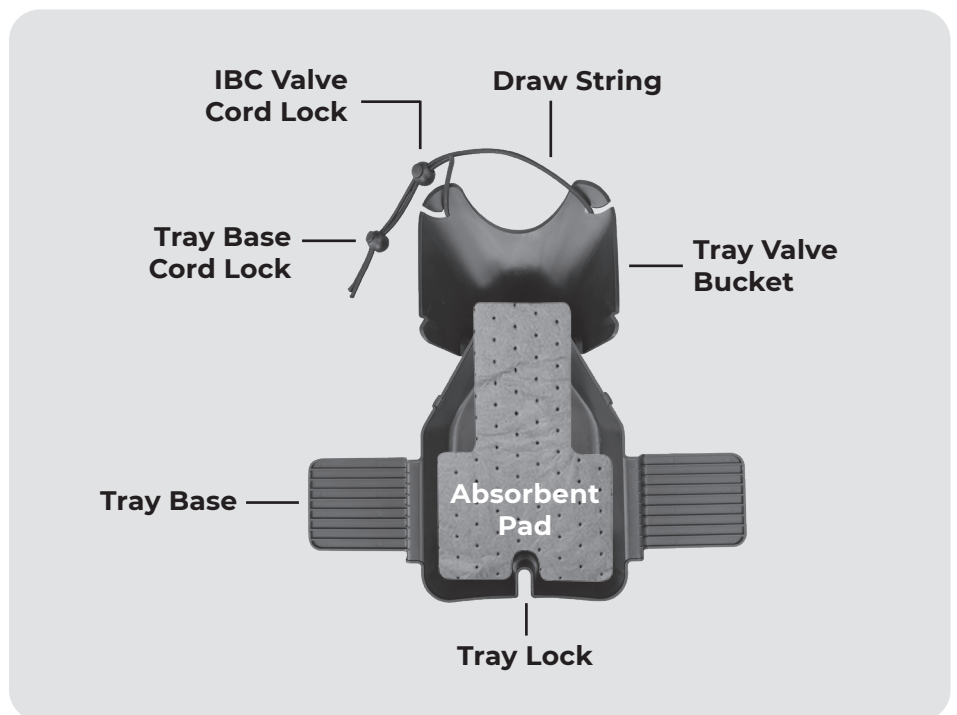
### Step 3

Lift Tray Base and Draw String Up.



### Step 4

Pull Draw String over Tray Base and secure Tray Base Cord Lock by inserting into Tray Lock.



To Reorder Call (or) Email Us

1-866-755-4475

industrialorders@micro-matic.com



SCAN TO WATCH

For Instructional Video Visit: [www.ecormor.com](http://www.ecormor.com)