

General Purpose Fixed Range



PT20 SERIES

- Gauge, compound, absolute and vacuum ranges from 1 psig to 15,000 psig
- Current and voltage outputs available
- 316 and 13-8PH Stainless Steel wetted parts
- RoHS compliant
- CE compliant to suppress RFI, EMI and ESD
- cULus compliant

APPLICATIONS

- HVAC
- Hydraulics & pneumatics
- General industrial
- Automation

SPECIFICATIONS

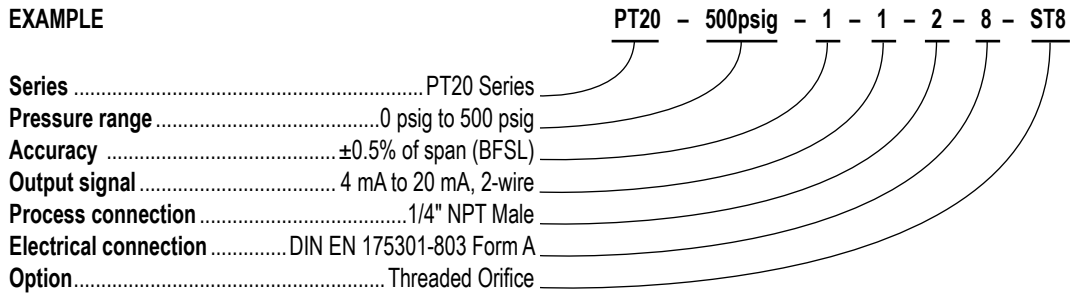
| | | |
|-------------------------------|--|---|
| Output signals | 4 mA to 20 mA, 2-wire; 0 Vdc to 5 Vdc, 3-wire; 1 Vdc to 5 Vdc, 3-wire; 0 Vdc to 10 Vdc, 3-wire; 0.5 to 4.5 Vdc, 3-wire; 0.5 to 4.5 Vdc ratiometric, 3-wire | |
| Pressure ranges | Gauge, compound, absolute and vacuum ranges from 1 psi to 15,000 psi | |
| Accuracy* | ±0.50% of span, non-linearity best fit straight line per IEC 61298-2 at reference conditions | |
| Response time | ≤ 4 ms (between 10% and 90% full scale) | |
| Service life | > 100 million load cycles | |
| Temperature ranges* | Compensated: | 32 °F to 176 °F (0 °C to 80 °C) |
| | Media: | 32 °F to 176 °F (0 °C to 80 °C) |
| | Ambient: | 32 °F to 176 °F (0 °C to 80 °C) |
| | Storage: | -40 °F to 158 °F (-40 °C to 70 °C) |
| Power requirement* | 8 Vdc to 30 Vdc: | 4 mA to 20 mA, 2-wire 0 Vdc to 5 Vdc, 3-wire 1 Vdc to 5 Vdc, 3-wire 0.5 Vdc to 4.5 Vdc, 3-wire |
| | 14 Vdc to 30 Vdc: | 0 Vdc to 10 Vdc, 3-wire |
| | 4.5 Vdc to 5.5 Vdc: | 0.5 Vdc to 4.5 Vdc ratiometric, 3-wire |
| Proof pressure | < 7,500 psi: | 2 times full scale |
| | ≥ 7,500 psi: | 1.5 times full scale |
| Burst pressure | < 7,500 psi: | 3 times full scale |
| | ≥ 7,500 psi: | 2 times full scale |
| Measuring element | 316 Stainless Steel: | Vacuum to 150 psi |
| | 13-8PH Stainless Steel: | ≥ 150 psi |
| Process connection | 316 Stainless Steel | |
| Electrical connection | PA and PBT | |
| Housing material | 316 Stainless Steel | |
| Environmental rating | IP65: DIN EN 175301-803 Form A, DIN EN 175301-803 Form C IP67: M12 x 1 (4-pin) | |
| Electromagnetic rating | CE compliant to EMC norm EN 61326:2014/A1:1998 RFI, EMI and ESD protection | |
| Electrical protection | Reverse polarity, over-voltage and short circuit protection | |
| Shock | 500 g's according to IEC 60068-2-27 | |
| Vibration | 10 g's according to IEC 60068-2-6 | |
| Weight | Approximately 2.8 oz. | |

* See user manual for detailed specifications

| ORDERING INFORMATION | | | | | | | | |
|---|---|---|----------------|--|------------------|---|----------------|--------------------|
| SERIES | PT20 | | | | | | | |
| PRESSURE RANGES | 15psiv | -15 psig to 0 psig | 15psig | 0 psig to 15 psig | 1000psig | 0 psig to 1,000 psig | 15psia | 0 psia to 15 psia |
| | 15psic | -15 psig to 15 psig | 30psig | 0 psig to 30 psig | 1500psig | 0 psig to 1,500 psig | 30psia | 0 psia to 30 psia |
| | 30psic | -15 psig to 30 psig | 60psig | 0 psig to 60 psig | 2000psig | 0 psig to 2,000 psig | 60psia | 0 psia to 60 psia |
| | 60 psic | -15 psig to 60 psig | 100psig | 0 psig to 100 psig | 3000psig | 0 psig to 3,000 psig | 100psia | 0 psia to 100 psia |
| | 100psic | -15 psig to 100 psig | 150psig | 0 psig to 150 psig | 5000psig | 0 psig to 5,000 psig | 150psia | 0 psia to 150 psia |
| | 200psic | -15 psig to 200 psig | 200psig | 0 psig to 200 psig | 6000psig | 0 psig to 6,000 psig | 200psia | 0 psia to 200 psia |
| | 300psic | -15 psig to 300 psig | 300psig | 0 psig to 300 psig | 7500psig | 0 psig to 7,500 psig | 300psia | 0 psia to 300 psia |
| | 1psig | 0 psig to 1 psig | 500psig | 0 psig to 500 psig | 10000psig | 0 psig to 10,000 psig | | |
| | 5psig | 0 psig to 5 psig | 750psig | 0 psig to 750 psig | 15000psig | 0 psig to 15,000 psig | | |
| psiv = vacuum gauge pressure psic = compound gauge pressure psig = gauge pressure psia = absolute pressure Other ranges available upon request. | | | | | | | | |
| ACCURACY | 1 ±0.50% (of span, non-linearity, BFSL per IEC 61298-2 at reference conditions) | | | | | | | |
| OUTPUT SIGNALS | 1 | 4 mA to 20 mA, 2-wire | 5 | 0 Vdc to 10 Vdc, 3-wire | | | | |
| | 2 | 0 Vdc to 5 Vdc, 3-wire | 13 | 0.5 Vdc to 4.5 Vdc, 3-wire (ratiometric) | | | | |
| | 3 | 1 Vdc to 5 Vdc, 3-wire | 31 | 0.5 Vdc to 4.5 Vdc, 3-wire (non-ratiometric) | | | | |
| PROCESS CONNECTIONS | 1 | 1/8" NPT male | 8 | 1/2" NPT male | 45 | 7/16-20 SAE J514 FIG 34B (Non-Adjustable) | | |
| | 2 | 1/4" NPT male | 10 | G 1/4 B EN 837 | 83 | G 1/2 B EN 837 | | |
| ELECTRICAL CONNECTIONS | 7 | DIN EN 175301-803 Form C | 17 | DIN EN 175301-803 Form C w/ 3 ft. cable | | | | |
| | 8 | DIN EN 175301-803 Form A | 18 | DIN EN 175301-803 Form A w/ 3 ft. cable | | | | |
| | 14 | DIN EN 175301-803 Form A w/ 1/2" NPT female conduit | 25 | M12 x 1 (4-pin) | | | | |
| OPTION | ST8 Threaded Orifice (0.8 mm) | | | | | | | |

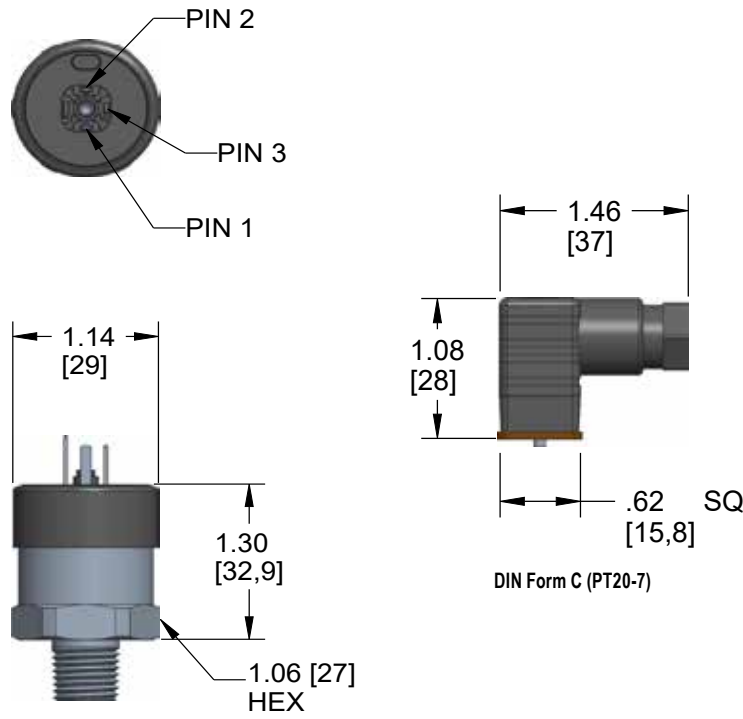
Please consult your local NOSHOK Distributor or NOSHOK, Inc. for availability and delivery information.

EXAMPLE

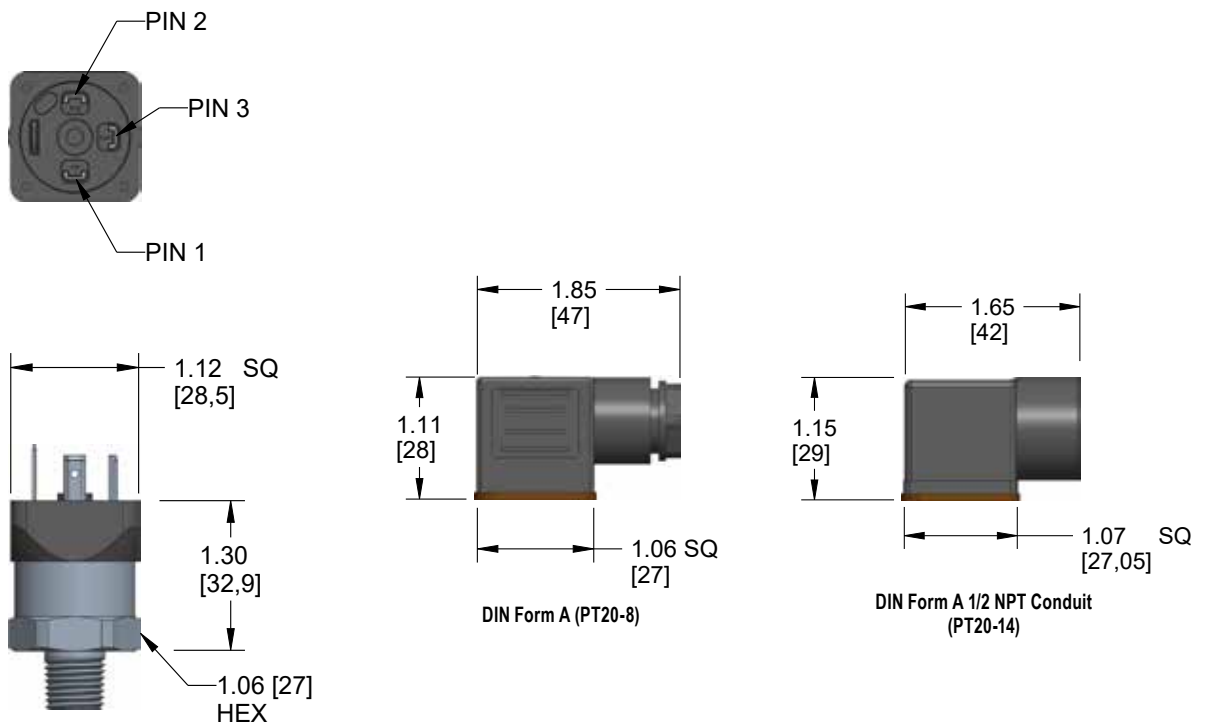


Dimensions

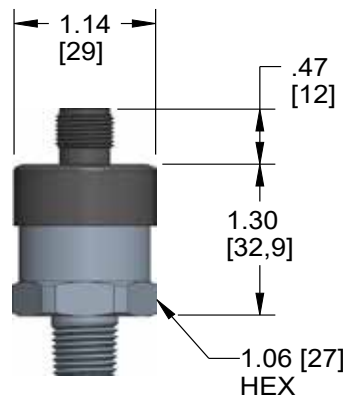
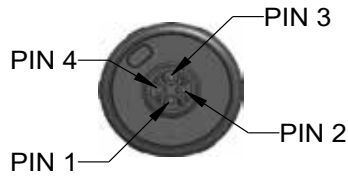
PT20 (DIN EN 175301-803 Form C)



PT20 (DIN EN 175301-803 Form A)



PT20-25 (M12 x 1 4-pin)



PT20 Process Connections

