



DISPENSERS



FUEL KITS



PUMPS



METERS



NOZZLE



FILTRATION

SELF SERVICE K44

FEATURES

- ALL-IN-ONE EQUIPMENT
- WATER CAPTOR FILTER
- COMPACT DESIGN
- IP55 PROTECTION RATING

The PIUSI SELF SERVICE K44 is a fuel dispenser unit equipped with a high capacity vane pump, built-in bypass valve and mechanical K44 meter particularly suitable for all the needs of high-flow rate diesel dispensing while guaranteeing that the dispensed product is free of water and impurities thanks to the integrated filter (column version). Available both as column or tank version, it features a front door for easy maintenance.

PERFORMANCE

UP TO
30 GPM

FLOW RATE

AC
CONTINUOUS DUTY

POWER

± 1%

ACCURACY



INTEGRATED MECHANICAL METER



SELF SERVICE K44

PACKAGING

PART #	WEIGHT		PACKAGING			N. BOXES / EUROPALLET	
	KG	LBS	MM	INCH	PCS/BOX	✕	
FO0740090	67	148	1478X488X400	58X19X16	1	6*	4
FO0740080	75	165	1478X488X400	58X19X16	1	6*	4



FLUID
MONITORING

- A
AIR
- A
ANTIFREEZE
- D
DEF
- B
BIODIESEL
- D
DIESEL**
- F
FOOD
- G
GASOLINE
- G
GREASE
- K
KEROSENE
- O
OIL
- W
WATER
- W
WINDSCREEN

CHART



IN THE BOX

- K44 UNIT
- DELIVERY HOSE
- AUTOMATIC NOZZLE
- INSTRUCTION MANUAL

DETAILS

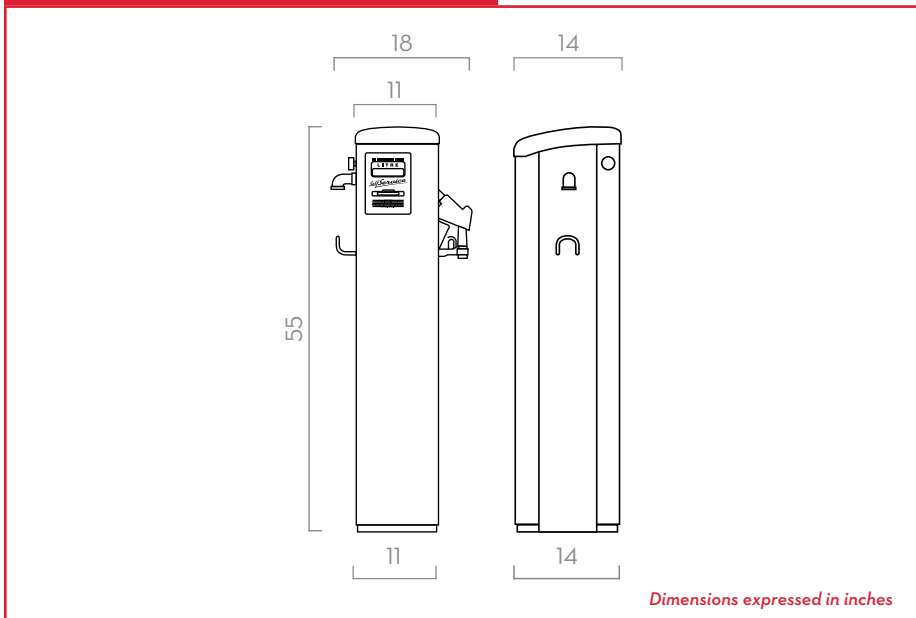


K44 (pg. 62)



INTEGRATED FILTER (pg. 94)

DIMENSIONS



COMPONENTS

- **PUMPS:**
E120 PG. 46
- **METER:**
K600/3 PG. 68
- **NOZZLE:**
A120 AUTOMATIC NOZZLE PG. 86
- **FILTER:**
WATER CAPTOR PG. 94

TECHNICAL DATA

PART #	DESCRIPTION	FLUIDS TYPE	FLOW RATE		VOLTAGE			PUMP	METER	NOZZLE	FILTER		INLET	PC
			L/MIN	GPM	AC V./HZ	DC VOLT	POWER WATT				AMP. MAX.	H2O FILTER		
FO0740090	SELF SERVICE K44 DISPENSER GALLON 120/60	D	113	30	120/60	1000	10	E120	K44	AUTO	YES	30μ	1" 1/2	NO
FO0740080	SELF SERVICE K44 DISPENSER LITERS 120/60	D	113	30	120/60	1000	10	E120	K44	AUTO	YES	30μ	1" 1/2	NO

UPON REQUEST IT IS AVAILABLE WITH DIFFERENT VOLTAGES AND 60 HZ FREQUENCY

SELF SERVICE K44