

Specifications:

- Suction-side installations only
- Fuel Ports: 7/8"-14 UNF (SAE J1926)
- Return Fuel Heat Fittings: 8 SAE 45° Flare (3/4"-16)
- Max. Flow Rate: 150 GPH (568 LPH)
- Clean Pressure Drop (@150 GPH): 0.5 PSI (0.03 bar)
- Max. Allowable Pressure: 30 PSI (2.07 bar)
- Bowl Capacity: 10.1 oz (300 ml)
- Ambient Temp. Range: -22° to +212°F (-30° to +100°C), Max. Fuel Temp: 158°F (70°C)
- Fuel compatibility: diesel fuel per ASTM D975 and biodiesel blends up to B20 per ASTM D7467

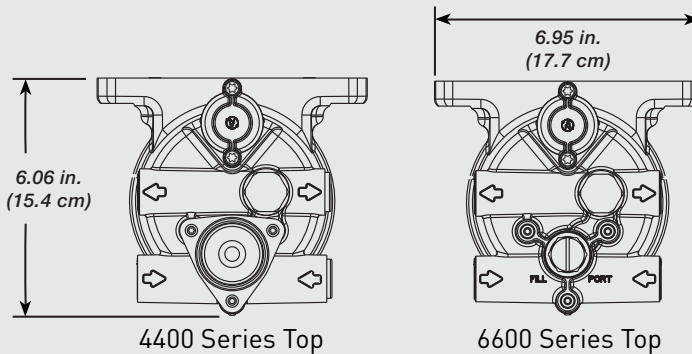
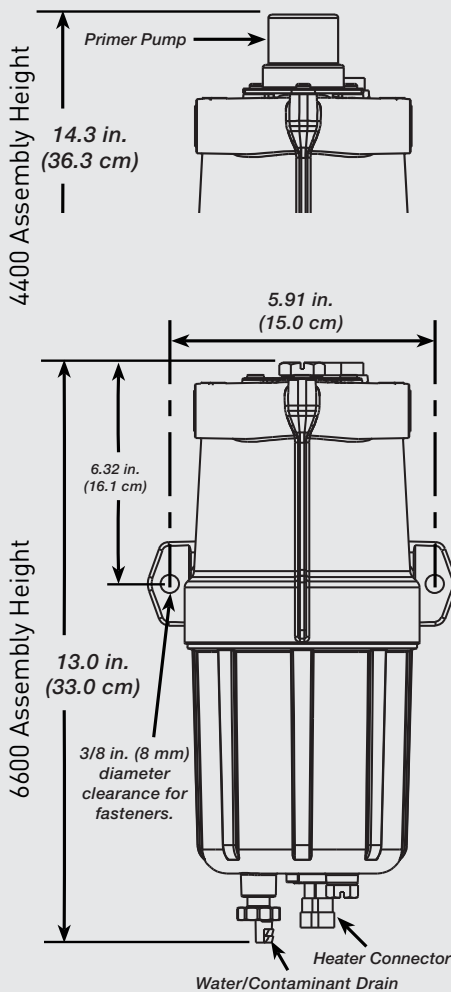
Create a Part Number

Priming Type	Primer Pump	44
	Fill Port	66
Bowl Length	Long	00
	Short - Coming Soon	60
R - Racor	R	
Optional Bowl Heater	12 Volt	12
	24 Volt	24
Micron Rating	2 micron	02
	10 micron	10
	30 micron	30
	Depth Coalescer*	DC
Optional RFH Valve	Return Fuel Heat	-01

* DC - Meets 2017 Cummins Specifications

ASSEMBLY	DESCRIPTION
4400R02, 4400R10, 4400R30	FF/WS, W/Hand Primer Pump, 2, 10, or 30 Micron
4400RDC	FF/WS, W/Hand Primer Pump, Depth Coalescer
4400R1202, 4400R1210, 4400R1230	FF/WS, W/Hand Primer Pump, 12VDC in bowl heater, 2, 10, or 30 Micron
4400R12DC	FF/WS, W/Hand Primer Pump, 12VDC in bowl heater, Depth Coalescer
4400R2402, 4400R2410, 4400R2430	FF/WS, W/Hand Primer Pump, 24VDC in bowl heater, 2, 10, or 30 Micron
4400R24DC	FF/WS, W/Hand Primer Pump, 24VDC in bowl heater, Depth Coalescer
4400R1210-01, 4400R1230-01	FF/WS, W/Hand Primer Pump, 12VDC Bowl Heater, 10 or 30 Micron, Return Fuel Heat
4400R2410-01	FF/WS, W/Hand Primer Pump, 24VDC Bowl Heater, 10 Micron, Return Fuel Heat
6600R02, 6600R10, 6600R30	FF/WS, 2, 10, or 30 Micron
6600RDC	FF/WS, Depth Coalescer
6600R1202, 6600R1210, 6600R1230	FF/WS, 12VDC in bowl heater, 2, 10, or 30 Micron
6600R12DC	FF/WS, 12VDC in bowl heater, Depth Coalescer
6600R2402, 6600R2410, 6600R2430	FF/WS, 24VDC in bowl heater, 2, 10, or 30 Micron
6600R24DC	FF/WS, 24VDC in bowl heater, Depth Coalescer
6600R1210-01	FF/WS, 12VDC Bowl Heater, 10 Micron, Return Fuel Heat
6600R2410-01	FF/WS, 24VDC Bowl Heater, 10 Micron, Return Fuel Heat

Dimensions:

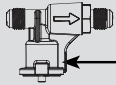


WARNING: The products described in this literature can expose you to chemicals including Diisononyl phthalate, Carbon black extract, which are known to the State of California to cause cancer. For more information go to www.P65Warnings.ca.gov.

PARTS

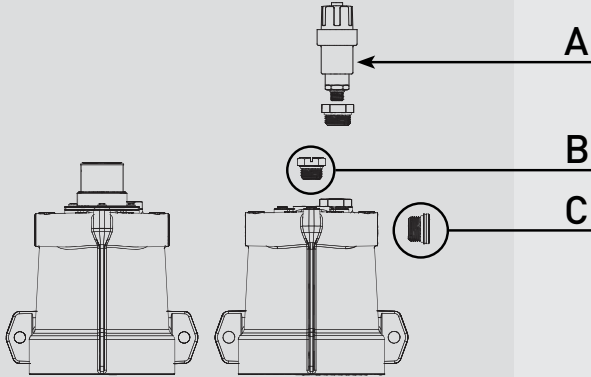
GreenMAX Series

1



A

2

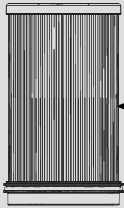


A

B

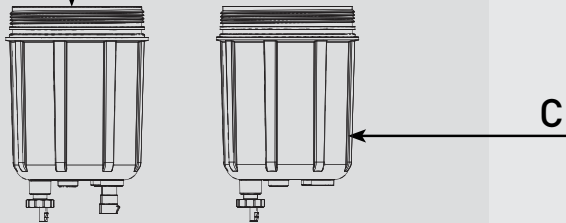
C

3



A

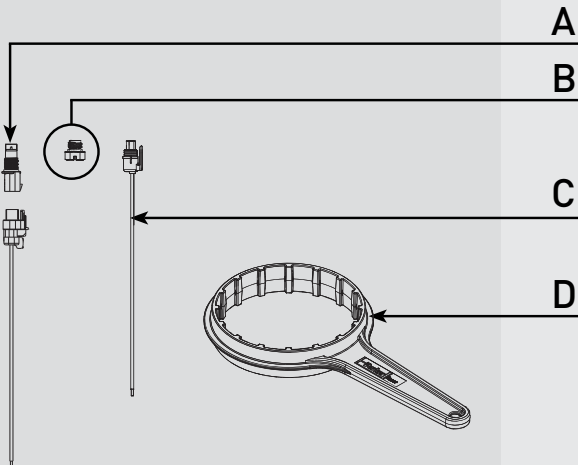
4



A/B

C

5



A

B

C

D

Part #		Description
1A	RK6165804	Engine Return Fuel Heat Kit
2A	RK32036-01	Fuel Filter Restriction Indicator Kit
2B	RK22100	Fill Port Plug Kit (6600 Assy)
2C	RK61713	Fuel Port Plug Replacement Kit
3A	R61691S	Element Assembly, GreenMAX 2 Micron
	R61691T	Element Assembly, GreenMAX 10 Micron
	R61691P	Element Assembly, GreenMAX 30 Micron
	R61762	Element Assembly, GreenMAX Depth Coalescer
4A	RK6166312	Clear Bowl Kit, 12VDC Heater - Relay Needed: RK 11861
4B	RK6166324	Clear Bowl Kit, 24VDC Heater - Relay Needed: RK 11862
4C	RK6166301	Clear Bowl Kit, No Heater
5A	RK30880E	WIF Sensor/Amplifier and Harness Assembly, 12/24V
	RK 55484	WIF Sensor Cummins ECU - 1216200 Delphi Packard Connector - 220K ohm, 12/24V
	RK56235	WIF Sensor 1216200 Delphi Packard Connector - 220K ohm Internal Resistor, 12/24V
	RK33801	WIF Sensor Cummins ISC03/ISL03 - No Connector - 82.5K ohm Internal Resistor, 12/24V
	RK33802	WIF Sensor Aftermarket - No Connector - No Internal Resistor, 12/24V
	RK55725	WIF Sensor Cummins ECU - DT042P-E003 Deutsch Connector - 82.5K ohm Internal Resistor, 12/24V
	RK55726	WIF Sensor Onan -DT042P-E003 Deutsch Connector - 82.5K ohm Internal Resistor, 12/24V
	RK56236	WIF Sensor Bluebird - 1205641 Delphi Packard Connector - 220K ohm Internal Resistor, 12/24V
	RK56237	WIF Sensor Daimler - 1205641 Delphi Packard Connector - 220K ohm Internal Resistor, 12/24V
5B	RK2012601	WIF Plug Kit (Bowl)
5C	RK 30876	Heater Connector Kit
5D	PFRK61730	Bowl Wrench

Additional parts not shown	
RK 11861	Heater Relay Kit - 12VDC (includes 25 amp fuse)
RK 11862	Heater Relay Kit - 24VDC (includes 15 amp fuse)
RK 14329	Water Detection Module; 12VDC Sends (+) hot signal when WIF sensor grounds - requires relay to power lamp or horn if greater than 1 amp draw - WIF sensor, relay, lamp or horn not included
RK 14321	Water Detection Module; 24VDC Sends (+) hot signal when WIF sensor grounds - requires relay to power lamp or horn if greater than 1 amp draw - WIF sensor, relay, lamp or horn not included
14332	Water Detection Module; 12VDC Sends (-) ground signal when WIF sensor grounds - requires relay to power lamp or horn if greater than 1 amp draw - WIF sensor, relay, lamp or horn not included