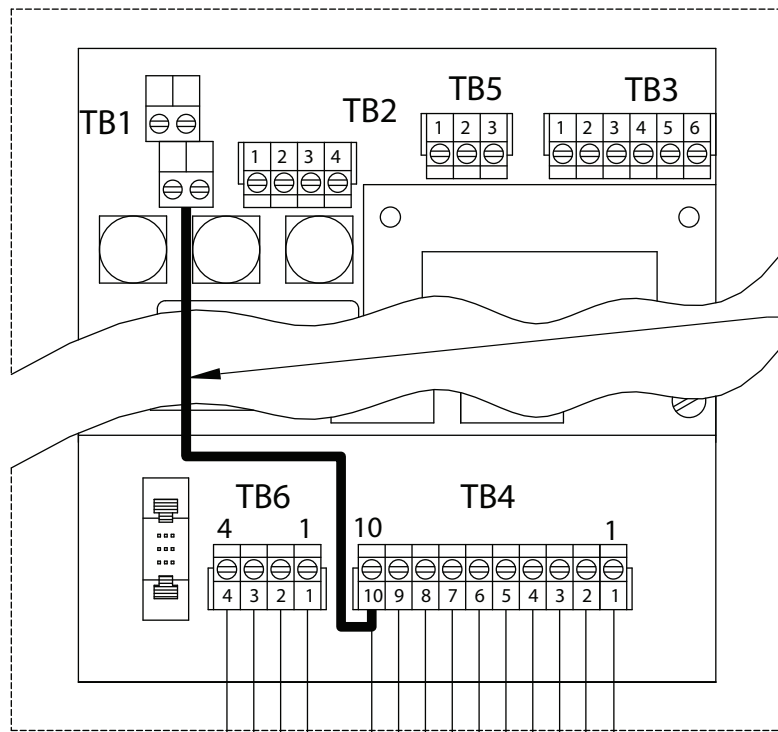


Scully INTELLITROL[®] 10 Pin SC-8B to 13 Pin Pull-Away Socket Wiring Diagram



INTELLITROL
MODULE

PIN 10 ON TB4 TIED
TO GROUND INTERNALLY

HAZARDOUS LOCATION
CLASS I, DIVISION 1, GROUP C



CRIMP (included)
For #1, #2, and #9 wires insertion into
"F", "E", and "A" connections, respectively.

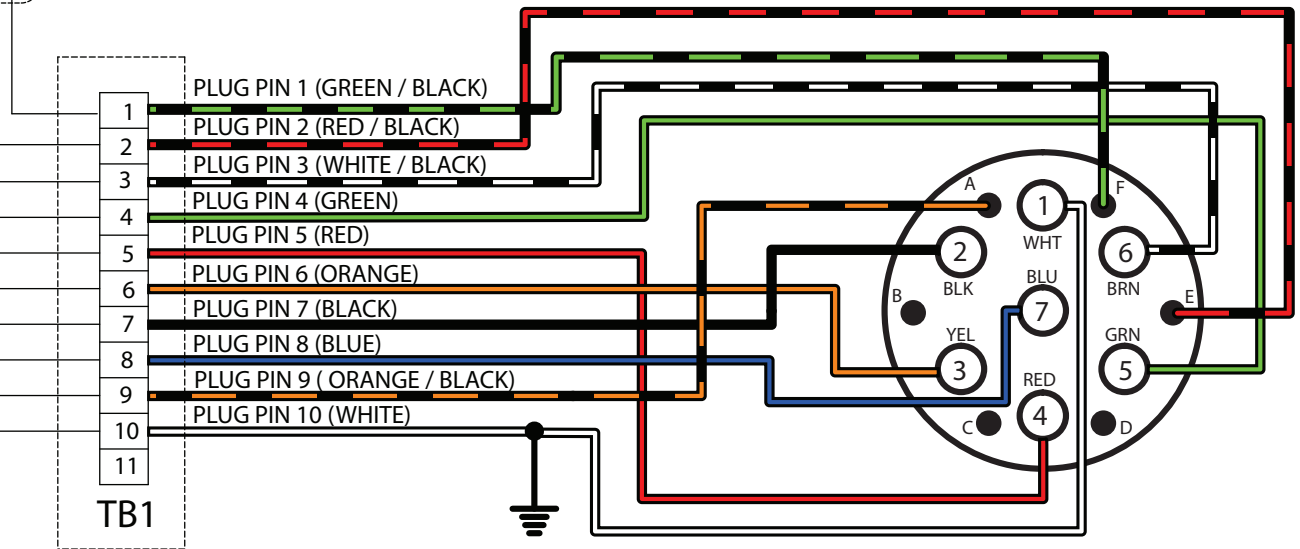
I.S. CIRCUITS FOR CONNECTION TO CLASS I, DIVISION 1, GROUPS C & D
OR CLASS I, ZONE 0, GROUP II B INTRINSICALLY SAFE APPARATUS.

DEADMAN SWITCH
OR
I.S. DEVICE
WITH PARAMETERS

$V_M \geq 39V$ PEAK
 $I_M \geq 190$ mA
 $P_I \geq .55W$
 $C_i \leq .011$ uF-C_{CABLE}
 $L_i = 0$

I.S. DEVICE

$V_M \geq 39V$ PEAK
 $I_M \geq 190$ mA
 $P_I \geq .55W$
 $C_i \leq .011$ uF-C_{CABLE}



SC-80B/8B SCULCON
JUNCTION BOX



Scully Signal Company
70 Industrial Way, Wilmington, MA 01887-3479, USA • 800.2.SCULLY (272.8559)
617.692.8600 • fax. 617.692.8620 • sales@scully.com • www.scully.com