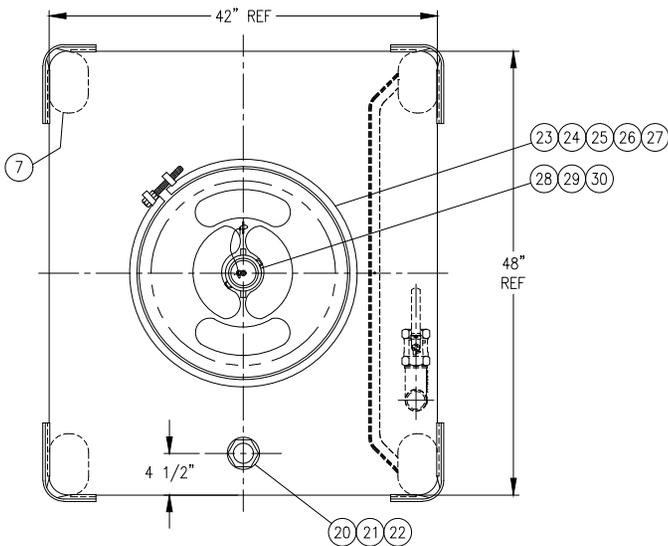
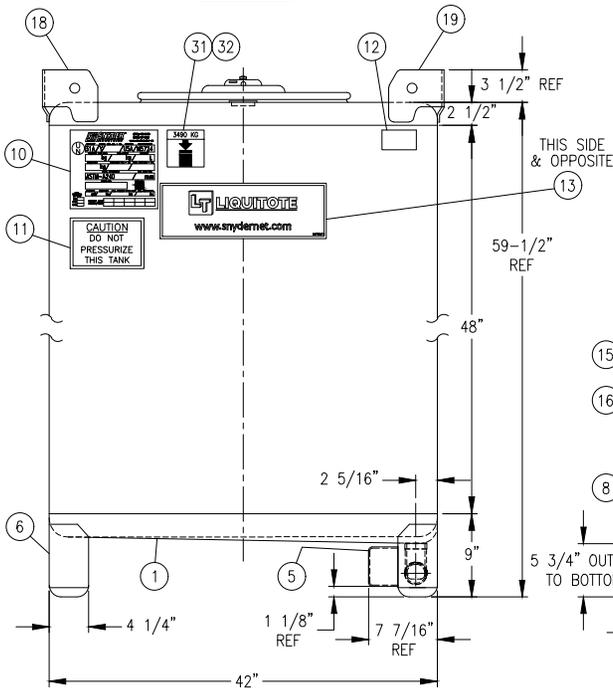


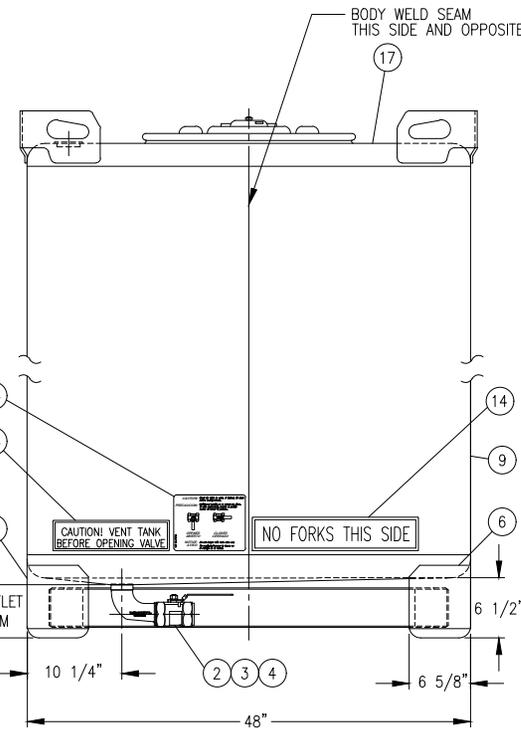
SYMBOL	REVISION	DATE	BY
--------	----------	------	----



TOP VIEW



FORK SIDE



VALVE SIDE

NOTES:

1. REMOVE ALL BURRS & SHARP EDGES.
2. THIS IBC WILL DOUBLE STACK.
3. IBC TOP, BODY, & BOTTOM ARE 10 GAUGE (.135") ASTM-A240 SS304 MATERIAL.
4. APPROXIMATE TARE WEIGHT OF IBC IS 595 LBS.

32	VINYL	DECAL - MISC. STACK 1X4	1	351002M
31	VINYL	DECAL - MISC. STACK 3X4	1	346025
30	BRZ	NICOPRESS SLEEVE	2	810702
29	STL	LANYARD PLASTIC COATED	1.5 FT.	810701
28	SS316	FUSIBLE CAP 3" NPS W/EPDM SEAT	1	344839
27	PLTD	NUT 5/8" NC HEX HD	1	35100330
26	PLTD	BOLT 5/8" NC X 5" LG HEX HD	1	35000183
25	PLTD	CLAMP RING 22" BOLTED	1	35900679
24	SS304L	DRUM COVER 22" EYEBROW W/3" HALF NIPPLE	1	328709
23	EPDM	GASKET 22" MULTISEAL FULL WRAP (BLACK)	1	33100747
22	SS304	BUNG PLUG 2" NPS HEX W/CROSSBAR	1	35902725
21	EPDM	GASKET 2" BUNG (WHITE)	1	341886
20	SS316L	BUNG FLANGE 2" NPS	1	35901150
19	SS304	LIFTING LUG RT 1/4" HEAVY DUTY	2	356445
18	SS304	LIFTING LUG LF 1/4" HEAVY DUTY	2	356444
17	SS304	TOP 10GA X 42" X 48"D FN BNG42SD	1	35901185H
16	VINYL	DECAL - CAUTION VENT TANK	1	343689
15	VINYL	DECAL - VALVE OPEN, CLOSED	1	810722
14	VINYL	DECAL - NO FORKS THIS SIDE	1	810822
13	VINYL	DECAL - LIQUITOTE	2	99700672
12	VINYL	DECAL - USA FLAG	1	810442
11	VINYL	DECAL - CAUTION DO NOT PRESSURIZE	1	810821
10	SS304	TAG UN 31A	1	350862M
9	SS304	SHEET 10GA X 48" X 87.875" (BODY PCS)	2	33800338
8	SS304	LEG ASSY 6.5" R/6-1/16" PIE#4	1	327941
7	SS304	LEG ASSY 6-1/2" R PIE	1	326541
6	SS304	LEG ASSY 6-1/2" L PIE	2	326540
5	SS304	GUARD 10GA X 4.27" X 43.19"	1	350859M
4	PP	PLUG 2" W/EPDM	1	342440
3	SS316	VALVE 2IN REV-STEM BY LOCKHNDL	1	35400242
2	SS316	ELBOW 2"NPT X 90DG FULDRAIN	1	345632
1	SS304	BTM 42X48X10GA 2.31D SLP STAMP	1	35903611

ITEM	MATL.	DESCRIPTION	QTY.	PART NO.
------	-------	-------------	------	----------



© SNYDER INDUSTRIES, LLC, 2020

ALL DIMENSIONS, DESIGNS, AND INFORMATION ON THIS PRINT MUST BE CONSIDERED PROPRIETARY TO SNYDER INDUSTRIES, LLC, AND MAY NOT BE USED, COPIED, OR DISTRIBUTED WITHOUT WRITTEN PERMISSION OF AN OFFICER (OR HIS AGENT) OF THE FIRM.

DRAWN	MDH	9/30/20	APPROVED	
CHECKED			CERTIFIED	
450 GALLON TANK 42"x48"/22"DRMCVR/UN/10ALL 2"VALVE/HDLL/2"BUNG/FUS/SLP BTM			NEXT ASS'Y	SCALE 1:10
MATERIAL SS304			DRAWING NO. 373447	REV.