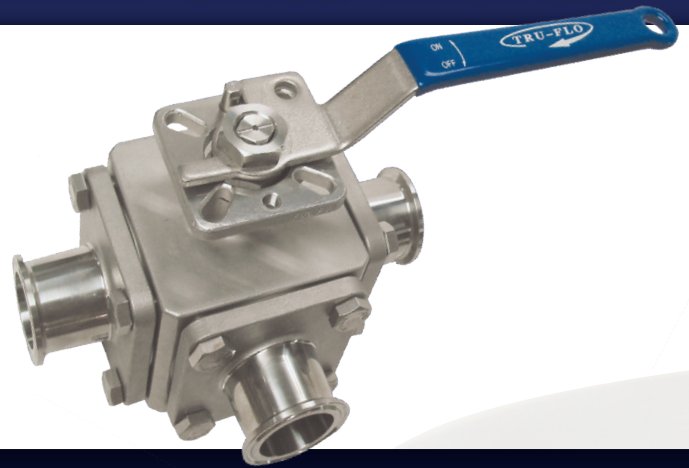


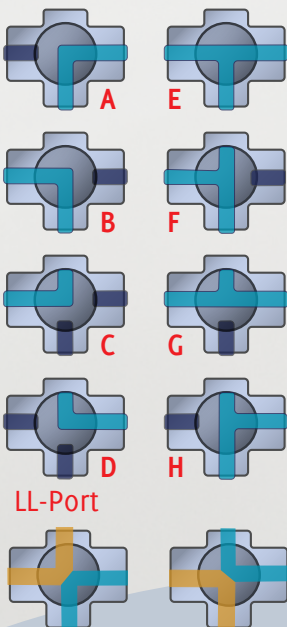
MULTIPOINT 3-WAY SANITARY BALL VALVES

STANDARD WITH
CAVITY FILLED SEATS



L-Port

T-Port

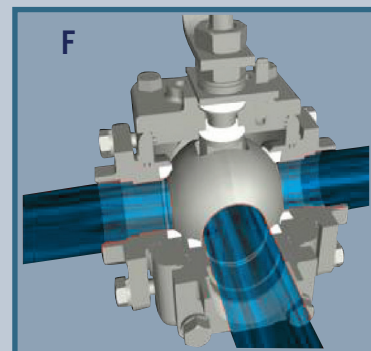
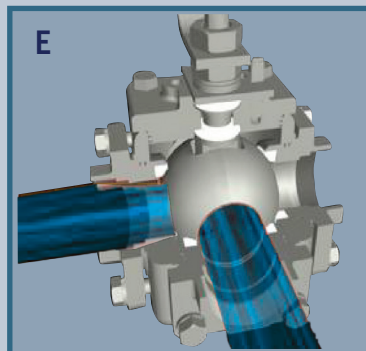
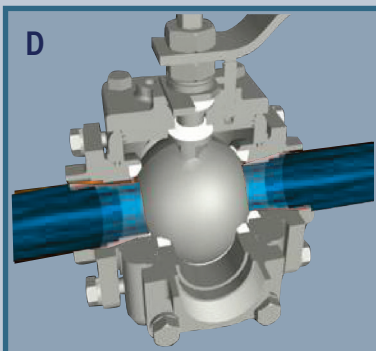


Features & Specifications

- » Provides positive seal at every port
- » Direct mounting ISO5211 pad facilitates easy automation and a smaller valve footprint for restrictive applications
- » Spring loaded washers create live-loaded, self-adjusting stem assembly reducing maintenance costs
- » Suitable for high cycle applications in manual or automated conditions—double seal leak protection
- » 316/316L stainless steel, full port in 8–12 Ra finish
- » Using body cavity fillers meets FDA, USDA & 3A requirements
- » Available options: Tri-Clamp® or butt-weld; cavity filled is standard; L-Port or T-Port configuration; 4-way double LL ball available

Multipoint

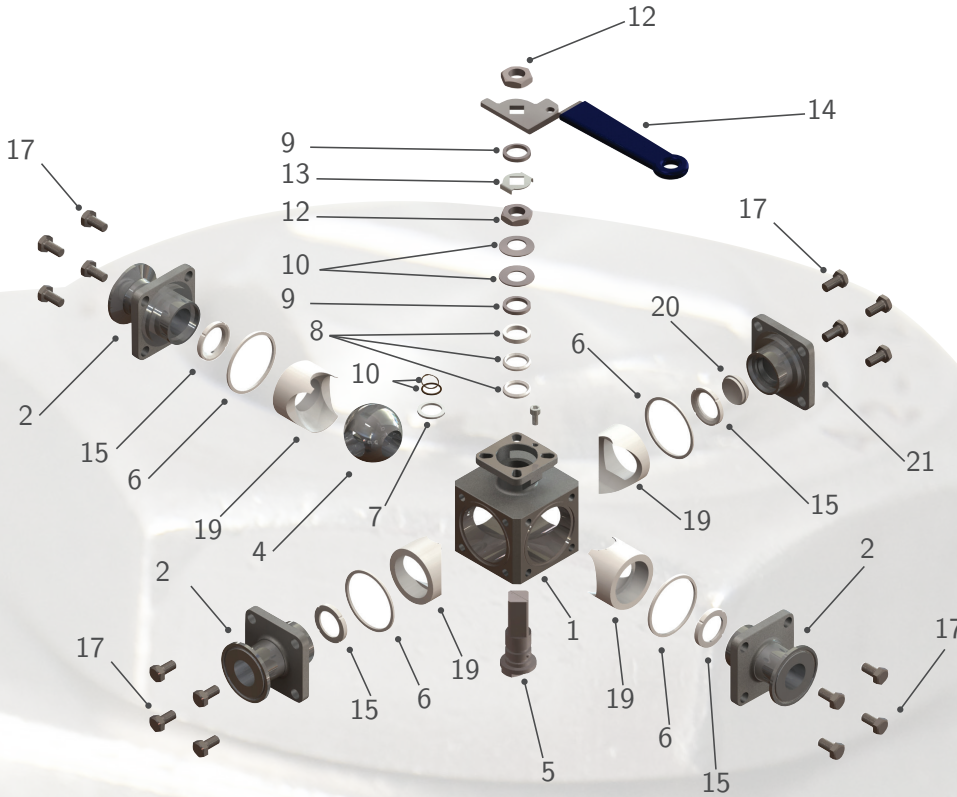
*All ports provide a positive seal



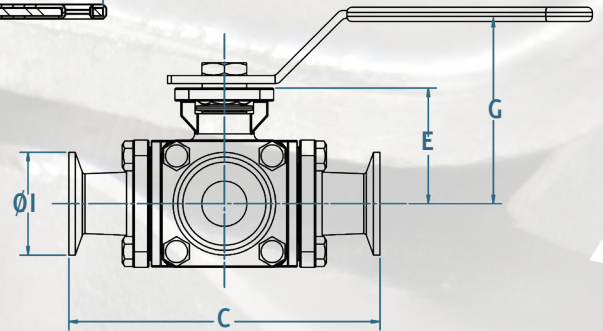
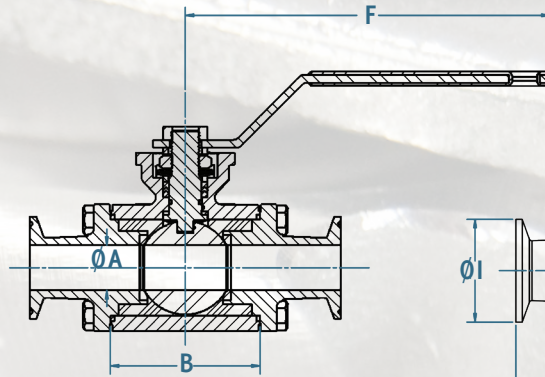
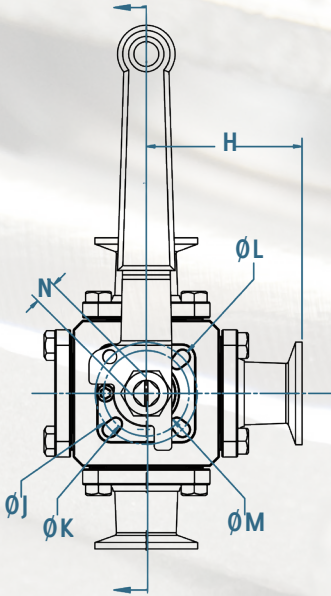
The multipoint is designed for applications requiring a 3-way ball valve to close the center port and have the flow go straight through the valve (Fig. D). It allows for a positive seal thus eliminating the need for a common port. The L-port can go from center to left (Fig. E) or center to right. The T-port can do the above configurations in addition to all three ports opened at once (Fig. F).

10

EA-407-SN



Item	Part (Qty)	Material
1	Body	CF3M
2	End Caps (3)	CF3M
3	Seats (4)	PTFE
4	Ball	SUS 316
5	Stem	SUS 316
6	Joint Gasket (4)	PTFE
7	Body Gasket	PTFE
8	Stem Seats (3)	PTFE
9	Gland Ring (2)	SUS 304
10	O-ring	VITON®
11	Belleville Spring Washer (2)	SUS 301
12	Lever Nut (2)	SUS 304
13	Locking Tab	SUS 304
14	Handle	SUS 304
15	Ball Seats	PTFE
16	Stop Screw	SUS 304
17	Bolts	SUS 304
18	Anti-Static Device	SUS 316
19	Cavity Fillers	PTFE
20	Back Plug	PTFE
21	Back Plate	CF3M



Size	A	B	C	E	F	G	H	I	J	K	L	M	N	ISO5211
½"	.37	1.05	4.33	1.54	5.19	2.36	2.16	1.00	1.95	1.40	6	3	9	F03/F04
¾"	.62	1.30	4.69	1.77	5.19	2.54	2.34	1.00	1.95	1.40	6	3	9	F03/F04
1"	0.87	2.88	6.00	2.27	7.28	3.61	3.00	1.80	1.97	1.65	7	6	11	F04/F05
1½"	1.37	3.84	7.50	3.02	8.66	4.34	3.75	1.80	2.76	1.97	9	7	14	F05/F07
2"	1.87	4.74	8.50	3.41	8.66	4.74	4.25	2.50	2.76	1.97	9	11	14	F05/F07
2½"	2.37	3.34	7.76	3.84	9.92	5.00	6.50	3.00	4.00	2.76	11	9	17	F07/F10
3"	2.88	6.77	12.00	4.86	13.78	6.63	6.00	3.57	4.00	2.76	11	9	17	F07/F10
4"	3.83	8.28	13.00	5.51	13.78	7.28	6.50	4.68	4.00	2.76	11	9	17	F07/F10