

# HIGH PURITY SANITARY BALL VALVES



THE TF-5308/5309 VALVE IS DESIGNED FOR HIGH PURITY APPLICATIONS IN THE PHARMACEUTICAL, BIOPHARM, PERSONAL CARE PRODUCTS AND FOOD INDUSTRIES AND OFFERS A UNIQUE ARRAY OF DESIGN FEATURES.

## Features & Specifications

- » ½"–2" sizes feature an enclosed body bolt design
- » Live-loaded stem with self-adjusting packing and no internal tapers
- » Designed for high cycle automated applications
- » Highly polished internals and end caps 8-12 Ra
- » All materials comply with FDA, USDA, & 3A requirements
- » Manufacturer is ISO 9000 certified
- » ASTM 316/316L stainless steel investment cast body and end caps
- » Available with Tri-Clamp® or butt weld ends, butt weld ends have extended tangents for orbital welding
- » 100% tested and inspected prior to shipping with full traceability of all component parts
- » Weld end valves meet the ASME-BPE requirements for sulfur and carbon
- » 3-PC body design for serviceability in line
- » TFM1600 & PTFE components meet CFR Title 21 section 177.1550
- » All valves meet MSS SP-25, SP-82, SP-110 and ANSI B16 standards
- » Lubricant and silicone-free
- » Valve is passivated 316L material in regular or cavity filled



Locking lever handle design

Live loaded stem packing with Belleville washers

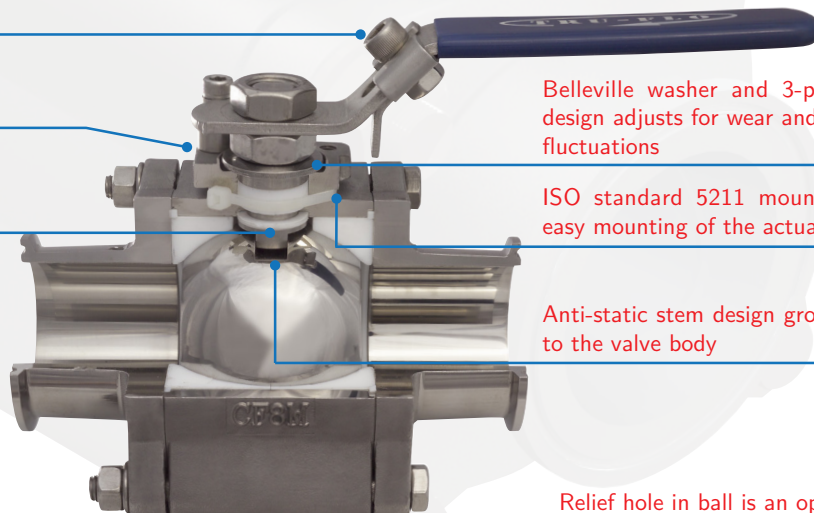
Blowout proof stem design

Belleville washer and 3-piece packing design adjusts for wear and temperature fluctuations

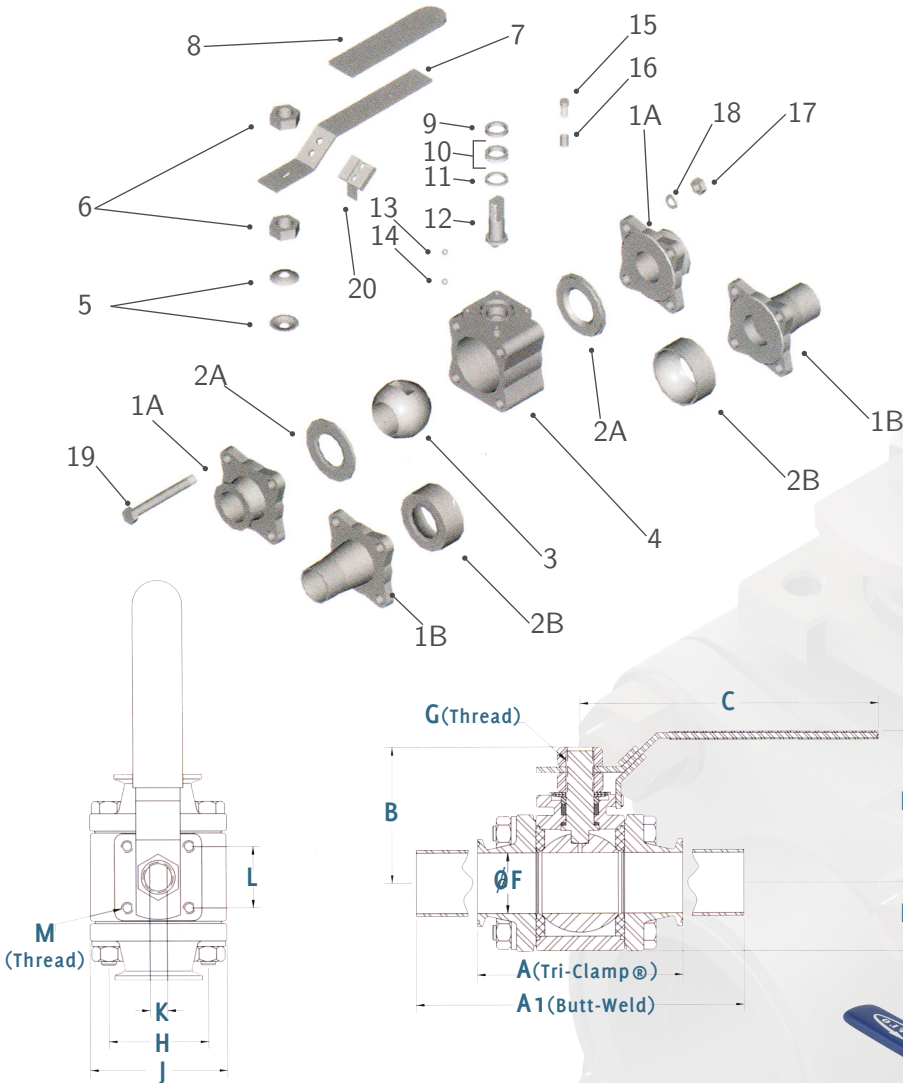
ISO standard 5211 mounting pad for easy mounting of the actuator

Anti-static stem design grounds the ball to the valve body

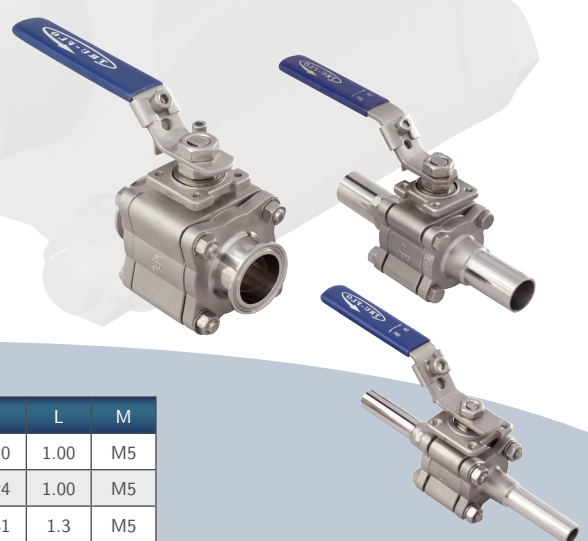
Relief hole in ball is an option



# TF-5308/5309



Item	Part (Qty)	Material
1A	Tri-Clamp® End Cap (2)	T316L Stainless Steel
1B	Butt Weld End Cap (2)	T316L Stainless Steel
2A	Standard Seat (2)	TFM1600
2B	Cavity Fill Seat (2)	TFM1600
3	Ball	T316L Stainless Steel
4	Valve Body	T316L Stainless Steel
5	Belleville Washer (2)	T304 Stainless Steel
6	Lever Nut	T304 Stainless Steel
7	Handle	T304 Stainless Steel
8	Handle Cover	Vinyl
9	Gland Ring	Stainless Steel
10	Stem Seal (3)	TFM1600
11	Stem Gasket	TFM1600
12	Stem	T316L Stainless Steel
13	Springs (2)	T304 Stainless Steel
14	Static Device (2)	T304 Stainless Steel
15	Stop Screw	T304 Stainless Steel
16	Handle Stop	T303 Stainless Steel
17	Hex Nut (4)	T304 Stainless Steel
18	Spring Washer (4)	T304 Stainless Steel
19	Bolt (4)	T304 Stainless Steel
20	Handle Lock	T304 Stainless Steel



1/2" to 2"

Size	A	A1	B	C	D	E	F	G	H	J	K	L	M
1/2"	3.50	6.06	1.75	4.33	2.05	0.75	0.37	5/16-24	1.18	1.62	0.20	1.00	M5
3/4"	3.50	6.06	1.87	4.33	2.27	1.00	0.63	3/8-24	1.43	2.00	0.24	1.00	M5
1"	3.50	6.55	2.50	5.32	2.93	1.06	0.87	1/2-20	1.68	2.25	0.31	1.3	M5
1 1/2"	4.50	8.06	3.18	6.50	3.50	1.50	1.37	5/8-18	2.38	3.00	0.39	1.4	M6
2"	5.00	8.56	3.38	6.50	3.96	1.75	1.87	5/8-18	2.88	3.65	0.39	1.5	M6