

SAMPLE VALVES

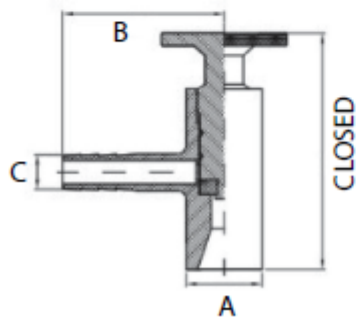
FEATURES:

- 304 stainless steel
- Double silicone O-rings
- PTFE seat ensures a leak-proof shutoff
- Surface finish polished to sanitary standards
- Temperature rating: 300°F
- Pressure rating: 200 PSI
- Sample port is a hose barb connection

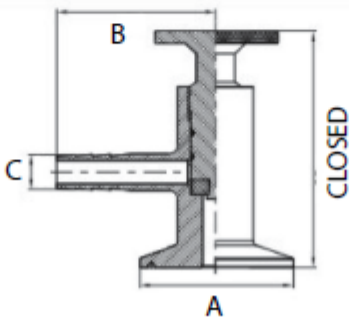


SAMPLE VALVES SVW

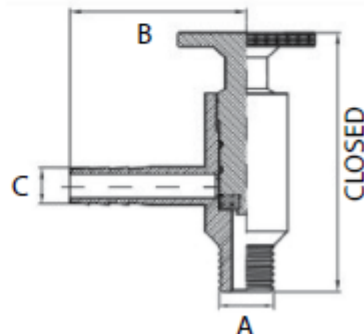
SIZE	STYLE	SEAT MATERIAL	A	B	C	CLOSED	WEIGHT (LBS)	304 PART NUMBER
1"	BUTT-WELD	PTFE	1.00	2.05	0.47	3.50	0.794	W4SVWW-P-1
1"	CLAMP	PTFE	1.99	2.05	0.47	3.50	0.838	W4SVWC-P-1
3/8"	NPT	PTFE	0.67	2.05	0.47	3.50	0.794	W4SVWN-P-.375



WELD STYLE



CLAMP STYLE



NPT STYLE